



PROFESSIONAL
COATING
EQUIPMENT
SPECIALIST

CAR REFINISH CATALOGUE





BEYOND any BOUNDARY

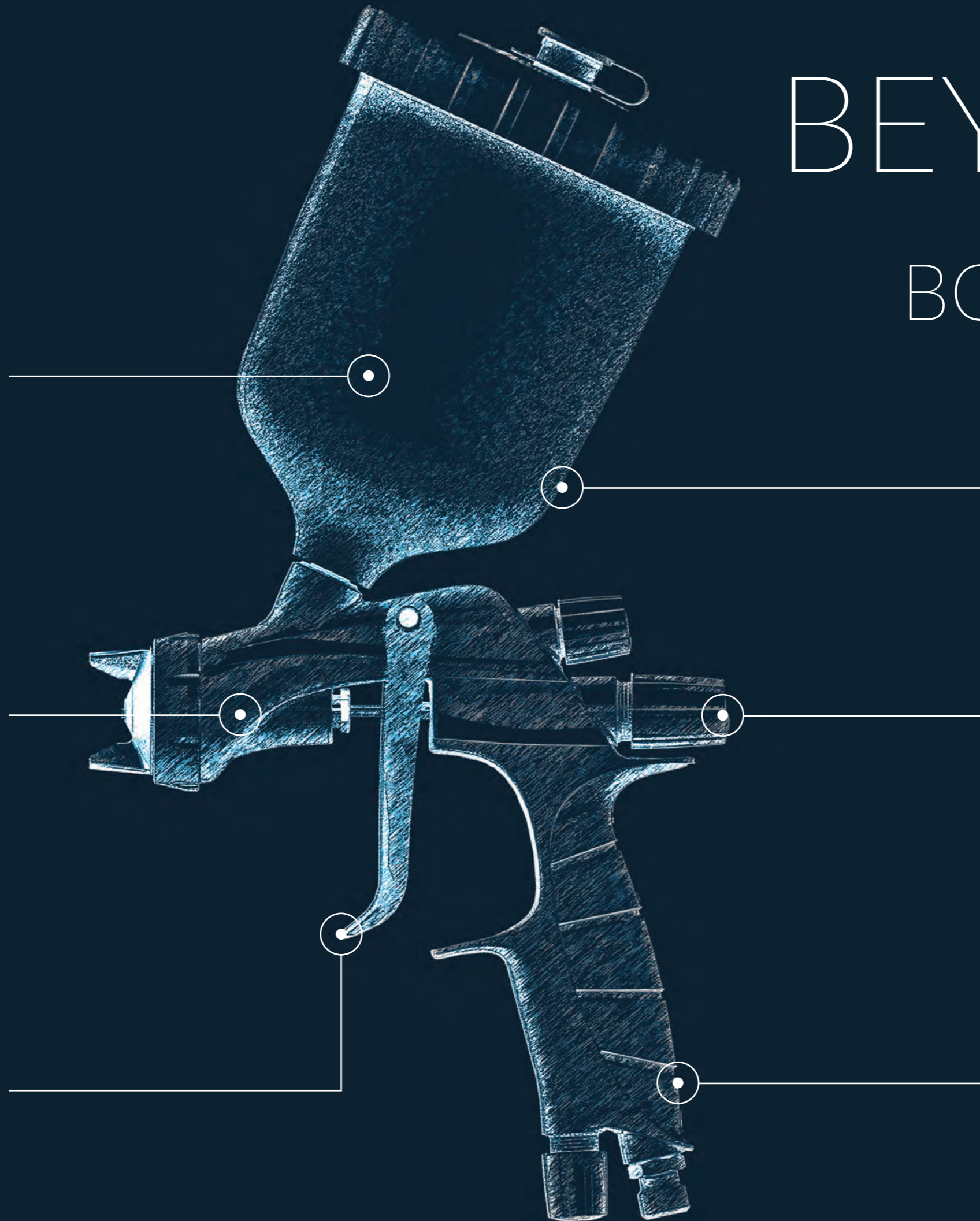
GROUP

Anest Iwata carries more than 90 years-experience in the coating industry, combining the most sophisticated Japanese craftsmanship tradition to the continuous search for leading-edge technology.

PASSION & PERFORMANCE

As a global group we aim to deliver the most technically advanced spraying equipment on the market. When designing our products we think about highly professional and creative individual who have passion for painting and are looking for the greatest performance.

With this in mind we always try to reach for the highest standards of sophistication, creativity and technical realization.



A WIDE RANGE

Our range of products varies from several spray guns lines, pumps and painting accessories, projected ad hoc for different paint application and to satisfy the customer in his research for the best solution.

CUSTOMER ORIENTED

The automotive refinish, together with the industrial and the wood sector are only few of the areas in which the Anest Iwata experience has found its appreciation between the users, not only for the excellence of our tools, but also for the attentive service our customers can count on.

Anest Iwata effort in providing the best results in performance is also conceived for the optimization of the resources and materials in the optic of begin environmental-friendly.

SPRAY GUNS
& ACCESSORIES

for **CAR**
REFINISH



Whether it's a first installation, a self-repair or a small retouch (spot repair) **Anest Iwata** has always been the point of reference for professional painters. The experience in the development of varnishing guns for the automotive sector has strengthened its image over time.



1 MANUAL SPRAY GUNS

CLEARCOAT

PREMIUM QUALITY

WS-400 EVO CLEAR.....10

HIGH QUALITY

W-400 WBX Classic Plus.....12

BASECOAT

PREMIUM QUALITY

LS-400 ENTECH (HVLP).....14

WS-400 EVO BASE.....16

HIGH QUALITY

W-400 WB2 Classic Plus.....18

PRIMER

PREMIUM QUALITY

LPH 300 (LVLP).....20

HIGH QUALITY

W-400 Bellaria Classic Plus.....22

STANDARD QUALITY

AZ3 HTE-S Impact.....24

SPRAY PUTTY

STANDARD QUALITY

AZ3 HTE2 HVLP.....26

AZ3 HTE P.A.S. Concept.....28

SMART REPAIR

PREMIUM QUALITY

W-300 WB High T.E.C.....30

STANDARD QUALITY

W-300 High T.E.C.....30

W-300 WB UV Cured Paints.....32

AZ4 HTE-S Impact Junior.....34

SPOT REPAIR

PREMIUM QUALITY

LPH-80 (LVLP).....36

CUSTOM PAINTING

HIGH QUALITY

RG-3L Round Pattern.....38

STANDARD QUALITY

AIRBRUSHES.....40

2 PRESSURE SPRAY GUN

COMMERCIAL VEHICLE APPLICATION

PREMIUM QUALITY

WS-200 Pressure Series.....42

PREMIUM/HIGH QUALITY

W-200 Integra Pressure Series.....44

W-200 Integra Suction Series.....46

UNIVERSAL

PREMIUM QUALITY

W-400 Classic Plus.....48

STANDARD QUALITY

AZ3 HTE 2.....50

3 PAINT SUPPLY SYSTEM

DOUBLE DIAPHRAGM PAINT PUMPS

DPS-120C & DPS-90G

DOUBLE DIAPHRAGM PAINT PUMPS

& ACCESSORIES.....54

PRESSURE TANKS

PAINT PRESSURE TANKS

PET-series (max. 7.0 bar 10 lt./30 lt./50 lt.).....58

PET-10 (max 4.0 bar) 10 lt.....60

PC-18D-S0(max. 3.5 bar) 2lt.....61

4 CUPS - FILTERS and ADAPTERS

GRAVITY CUPS & PAINT FILTERS

GRAVITY CUPS.....64

FILTERS & ADAPTERS.....65

BLACK "UV" CUPS.....66

ALUMINIUM GRAVITY CUPS/

HIGH T.E.C. Paint Filters.....67

5 GENERAL ACCESSORIES

HEALTH PROTECTION

Anest Iwata OVERALL.....70

VISIONSHIELD series (goggles & glasses)....71

VIPER Half face guard mask.....72

AIRFED 2020 Full face mask.....73

6 CLEANING and MAINTENANCE

SPRAY GUN CLEANING

APPLICATORS

PCA12.0 / HCA12.0.....76

CLEANING and

MAINTENANCE TOOLS

Brushes/Spanner/Grease/

Air duster gun.....78

SPRAY GUN WASHERS

KUIK mini gun washer/

manual washing.....80

IWK-H2O gun washer/

manual washing.....81

INOX LINE SOL (SLD) gun washer/

manual and automatic washing.....82

INOX LINE SOL (ILD) gun washer

and distiller / totally pneumatic.....82

INOX LINE SOL-B and SOL-C

gun washer/automatic final cleaning.....82

SPRAY GUN SUPPORTS

MAGNETIC SUPPORTS &

GRAVITY GUN HOLDERS.....84

SPRAY CONTROL

MAGNETIC SPRAY TESTER.....85

AIR FILTERING

AIR FILTER REGULATOR 1/2"

(Single-stage, Double-stage, Tri-stage).....86

AIR SUPPLY

CONDUCTIVE AIR/FLUID

HOSES & COUPLINGS.....87

PRESSURE SETTING

AIR PRESSURE REGULATORS

(HVC-1/AFV-2).....88

(AFV-1/ImpactController2).....89

7 DRYING SYSTEM

INFRARED UNITS

(series 1 kw-3 kw-4,5 kw-6 kw).....92

ADG-1B AQUADRY Paint dryer.....94

AI JET Air nozzle dryer.....95

DEMO TOOLS

DEMO TROLLEY.....96

OTHER ACCESSORIES

AZ PVA TN Undercoat gun.....97

ICONS LEGEND



NOZZLE SIZE

AIR CAP SET

AIR PRESSURE

FLUID OUTPUT

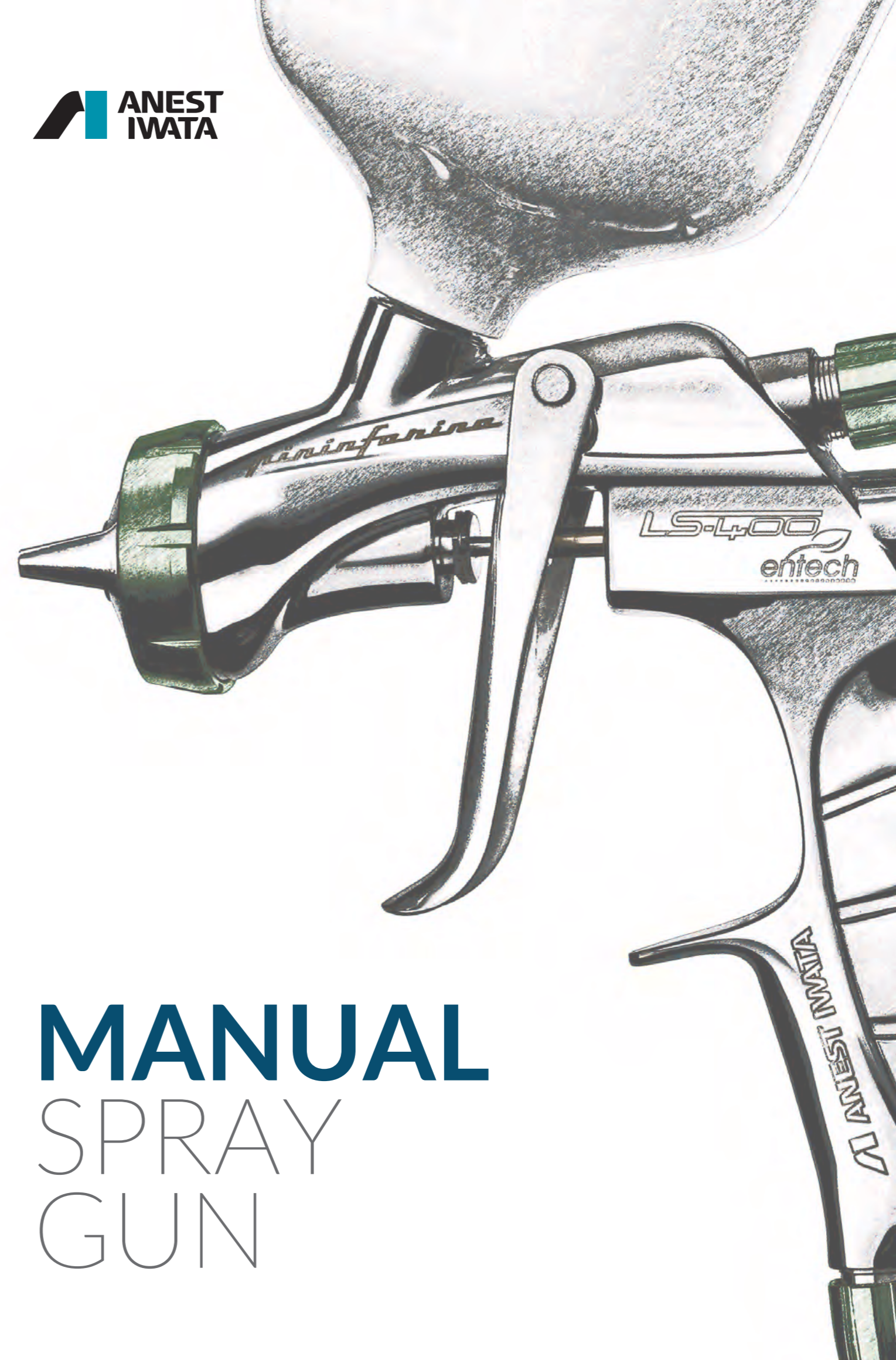
AIR CONSUMPTION

PATTERN WIDTH

APPLICATION CHART



	PREMIUM		HIGH		STANDARD	
	GRAVITY	PRESSURE	GRAVITY	PRESSURE	GRAVITY	PRESSURE
CLEAR COAT	 WS-400 EVO CLEAR P. 10	 WS-200 SP P. 42	 WS-400 WBX P. 12	NEW W-200 INTEGRA P. 44		
BASE COAT	 LS-400 ENTECH P. 14	 WS-200 SP P. 42	 W-400 WB P. 18	NEW W-200 INTEGRA P. 44		
PRIMER	 LPH-300 (LVLP) P. 20	 WS-200 SP P. 42	 W-400 BELLARIA P. 22	NEW W-200 INTEGRA P. 44	 AZ3 HTE-S IMPACT P. 24	
SPRAY PUTTY					 AZ3 HTE2 HVLP P. 26	 AZ3 HTE P.A.S. CONCEPT P. 28
SPOT REPAIR	 LPH-80 P. 36				NEW AZ4 HTE-S JUNIOR P. 34	
SMART REPAIR	 W-300 WB P. 30	 W-300 WB UV P. 32				
CUSTOM PAINTING			 RG-3L P. 38			



MANUAL SPRAY GUN

CLEARCOAT

WS-400 EvoClear

PREMIUM QUALITY

FEATURES

- Perfect surfaces thanks to the Split Nozzle™ technology
- High fluid transfer by a large and uniform spray pattern
- Very fine atomization
- VOC-compliant professional spray gun (more than 65% transfer efficiency)
- Clearly visible reduction of "fat edges"
- Low background noise
- Lightweight spray gun body
- Simple adjustment of the control knobs, both for right and left handers
- Conical seal nozzle, minimum wear parts
- Clearer design, easy maintenance
- Quality surface for easy cleaning

SPLIT NOZZLE™ PRE-ATOMIZATION TECHNOLOGY

TECHNICAL DATA	Ø mm	No.	bar	m ² /min	N ² /min	mm
WS-400 -1301 EVO	1.3	WS-400-01	2.0	170	370	365
WS-400 -1401 EVO	1.4					
WS-400 -1301HD EVO	1.3 HD (1.3.2)					
WS-400 -1401HD EVO	1.4 HD (1.4.2)					
WS-400 -1501HD EVO	1.5 HD (1.5.2)					
				Spray Distance 130 mm		Spray Distance 200 mm

• HD (High Delivery) • Air Nipple: G1/4" • Fluid Nipple: G1/4"



PRO KIT - CARTON BOX OR PLASTIC CASE

WS-400 Evo Clear Spray Gun
PC-G600P-2 CUP - 600 ml
Cleaning Brushes - Universal Spanner

ORDER INFORMATION

	Ø 1,3	Ø 1,4	Ø 1,3 HD
WS-400 -MASTER KIT	13244115E	13244117E	13244122E
WS-400 EVO - PRO KIT (Plastic Case)	13244115EPL	13244117EPL	13244122EPL
WS-400 EVO - PRO KIT (Carton Box)	13244115EP	13244117EP	13244122EP
AIR CAP SET (WS-400-01)	93505300		
FLUID NOZZLE + FLUID NEEDLE SET	93506410	93506820	93506910

	Ø 1,4 HD	Ø 1,5 HD
WS-400 -MASTER KIT	13244124E	13244126E
WS-400 EVO - PRO KIT (Plastic Case)	13244124EPL	13244126EPL
WS-400 EVO - PRO KIT (Carton Box)	13244124EP	13244126EP
AIR CAP SET (WS-400-01)	93505300	
FLUID NOZZLE + FLUID NEEDLE SET	93506920	93506930

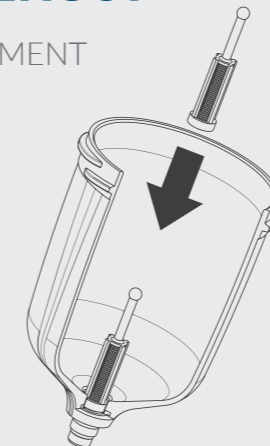


MASTER KIT PLASTIC CASE

WS-400 Evo Clear Spray Gun
PC-G600P-2 CUP 600 ml
Air Regulator AFV-1
Cleaning Brushes
Universal Spanner

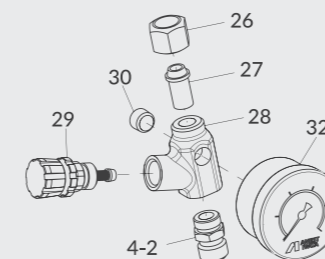
FILTERCUP

PROPER
ADJUSTMENT



AFV-1

AIR REGULATOR



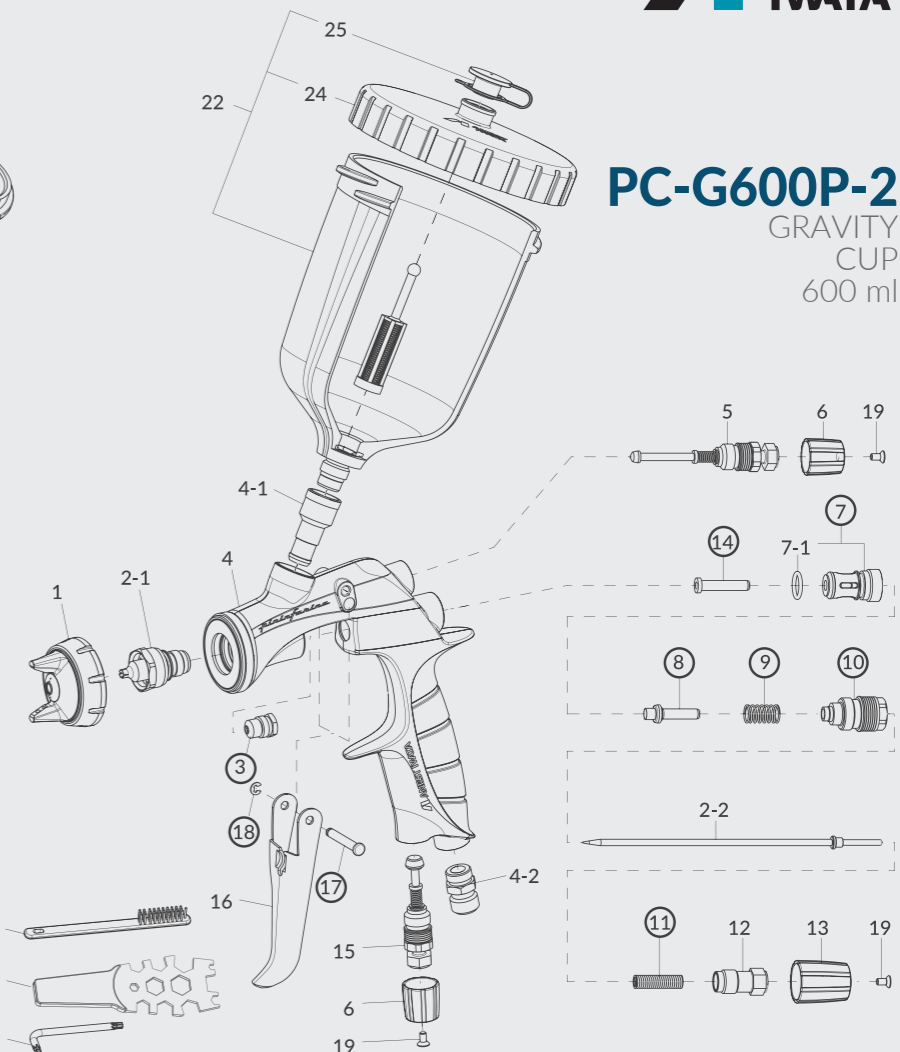
SPARE PARTS

REF.	CODE	DESCRIPTION	QTY.
1		AIR CAP SET	
2-1+ 2-2		FLUID NOZZLE + FLUID NEEDLE SET	
3	93810620	NEEDLE PACKING SET	
4-1	93505421	FLUID NIPPLE	
4-2	03660300	AIR NIPPLE	
5	93505432	PATTERN ADJ. SET	
6	93505471	ADJ. KNOB (Chrome)	
7	03843530	AIR VALVE SEAT SET	
7-1	06638008	'O'RING	
8	93505480	AIR VALVE	
9	03719530	AIR VALVE SPRING	
10	93505492	FLUID ADJ. GUIDE SET	
11	03593530	FLUID NEEDLE SPRING	
12	93505823	FLUID ADJ. SCREW SET	
13	93505831	FLUID ADJ. KNOB (Chrome)	
14	93935430	AIR VALVE SHAFT	
15	93505842	AIR ADJ. SET	
16	93505850	TRIGGER	
17	93505860	TRIGGER STUD	
18	96612025	E STOPPER	
19	93506970K	COUNTERSUNK HEAD SCREW (Chrome)	(3 pcs./1 pk.)
20	930171A0	UNIVERSAL SPANNER	
21	W2COM6163	BRUSHES	(5 pcs./1 pk.)



PC-G600P-2

GRAVITY
CUP
600 ml



REF.	CODE	DESCRIPTION
22	14019100	PC-G600P-2 GRAVITY CUP 600 ml
24	94011220	LID
25	94011230	NON DRIP
	14378610	AIR REGULATOR AFV-1
26	94017021	CAP NUT
27	94006220	JOINT SEAT
28	94006231	BODY
29	94006240	AIR REGULATOR VALVE SET
30	96990425	PLUG
32	W3COM6065	PRESSURE GAUGE
33	03506480K	ALLEN WRENCH SET (3 pcs./1 pk.)

ACCESSORIES

CODE	DESCRIPTION
93505330	AIR CAP PACKING (WHITE)
93505341	AIR CAP "L" PACKING (BLACK)
W2KIT55UK	CLEANING KIT
W2COM6189	REPAIRING KIT 1 (includes: air valve seat set, air valve, air valve spring, fluid needle spring, air valve shaft, fluid adj. guide set, trigger stud, e stopper, needle packing cartridge).
94011240	FILTER 60 Mesh (250µ)



CLEARCOAT

W-400WBX Classic Plus

HIGH QUALITY

FEATURES

- Perfect surfaces thanks to the Split Nozzle™ technology
- VOC-compliant professional spray gun (more than 65% transfer efficiency)
- Very fine atomization
- Clearly visible reduction of "fat edges"
- Low background noise
- 380 g: one of most lightweight spray guns on the market
- Conical seal nozzle, minimum wear parts
- Quality surface for easy cleaning
- Clearer design, easy maintenance

SPLIT NOZZLE™ PRE-ATOMIZATION TECHNOLOGY



TECHNICAL DATA	Ø mm	No.	bar	ml/min	NI/min	mm
W-400 WBX-124G	1.2	WBX	2.0	150	370	360
W-400 WBX-134G	1.3			195		390
W-400 WBX-144G	1.4			200		

• Air nipple: G1/4" • Fluid nipple: M16 x 1.5mm

Classic plus
WBX



PRO KIT- CARTON BOX

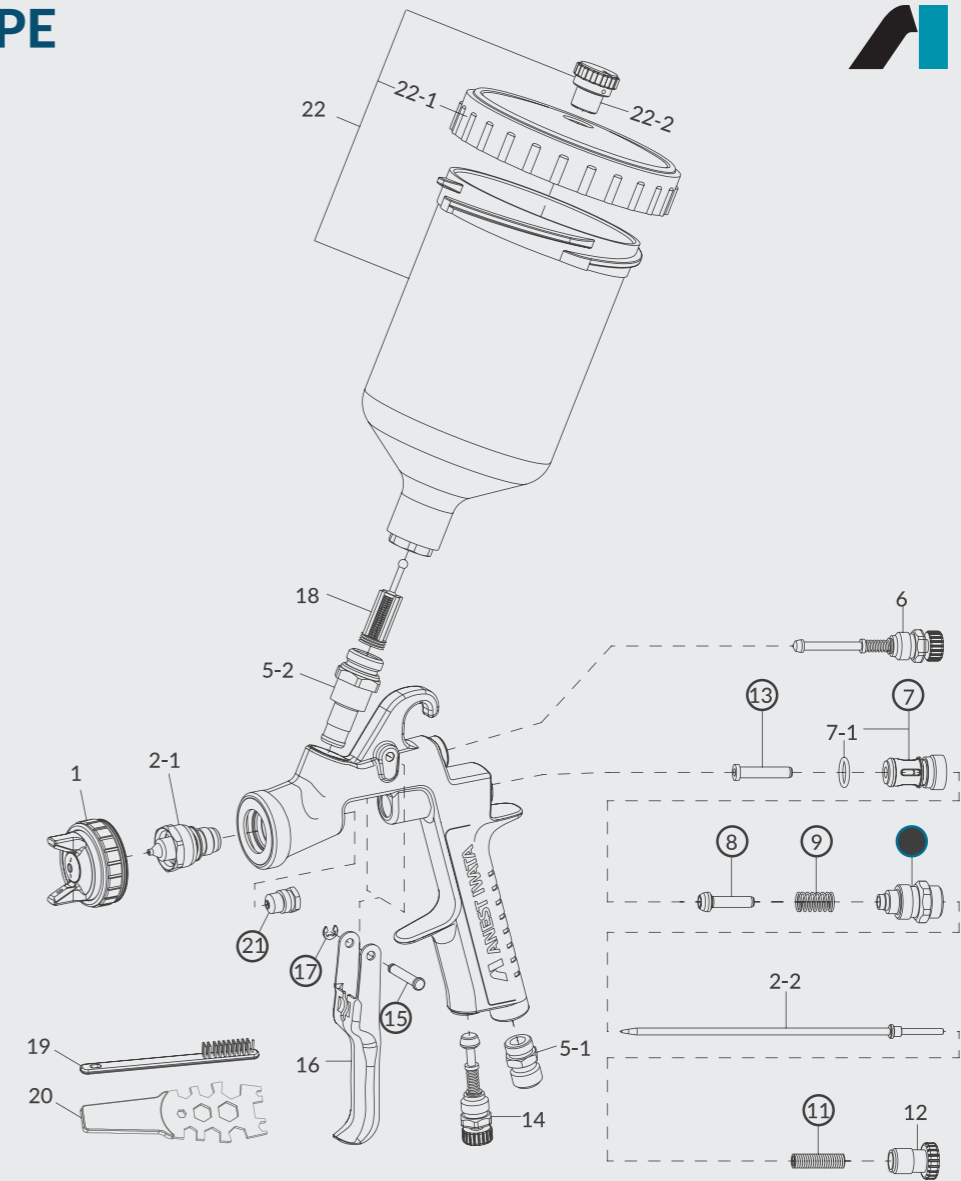
- W-400 WBX Spray Gun
- PCG 6 PE CUP - 600 ml
- Cleaning Brushes
- Universal Spanner

ORDER INFORMATION

	Ø 1,2	Ø 1,3	Ø 1,4
W-400 WBX - PRO KIT (Carton Box)	13241422P	13241423P	13241424P
AIR CAP SET (WBX)	93622630		
FLUID NOZZLE + FLUID NEEDLE SET	93627610	93634610	93628610

PCG-6-PE

GRAVITY
CUP
600 ml



SPARE PARTS

REF.	CODE	DESCRIPTION	QTY.
1		AIR CAP SET	
2-1+ 2-2		FLUID NOZZLE + FLUID NEEDLE SET	
5-1	03660300	AIR NIPPLE	
5-2	93650531	FLUID NIPPLE	
6	93842601	PATTERN ADJ. SET	
7	03843530	AIR VALVE SEAT SET	
7-1	06638008	'O' RING	
8	03591530	AIR VALVE	
9	03719530	AIR VALVE SPRING	
10	93844532	FLUID ADJ. GUIDE SET	
11	03593530	FLUID NEEDLE SPRING	
12	93594532	FLUID ADJ. KNOB	
13	93935430	AIR VALVE SHAFT	
14	93845531	AIR ADJ. SET	
15	03667360	TRIGGER STUD	
16	03517600	TRIGGER	
17	03912030	E STOPPER	(2 pcs./1 pk.)
18	03515500	FILTER 60 Mesh (250µ)	
21	93810620	NEEDLE PACKING SET	
19	W2COM6163	BRUSHES	(5 pcs./1 pk.)
20	930171A0	UNIVERSAL SPANNER	

REF.	CODE	DESCRIPTION
22	14011001	PCG-6-PE GRAVITY CUP 600 ml
22-1	04002300	LID
22-2	04003320	NON DRIP

ACCESSORIES

CODE	DESCRIPTION
03708240	AIR CAP PACKING (WHITE)
03512600	AIR CAP "L" PACKING (BLACK)
W2KIT55UK	CLEANING KIT
W2COM6190	REPAIRING KIT 2 (includes: air valve seat set, air valve, air valve spring, fluid needle spring, fluid adj. guide set, air valve shaft, trigger stud, e stopper, needle packing cartridge).

W-400WBX Classic Plus



BASECOAT

LS-400 Entech (HVLP)

PREMIUM QUALITY

FEATURES

- Perfect surfaces thanks to the Split Nozzle™ technology
- Soft spray pattern for easy handling when blending
- High fluid transfer, maximum material saving
- Large and uniform spray pattern
- Consistent droplet size
- VOC-compliant professional spray gun (more than 65% transfer efficiency)
- Clearly visible reduction of "fat edges"

- Low background noise
- Lightweight spray gun body
- Simple adjustment of the control knobs, for right and left handers
- Conical seal nozzle, minimum wear parts
- Clearer design, easy maintenance
- Quality surface for easy cleaning

SPLIT NOZZLE™

PRE-ATOMIZATION TECHNOLOGY

TECHNICAL DATA	Ø mm	No.	bar	mL/min	NL/min	mm	mm	mm		
LS-400-1205	1.2 ET	LS-400-05	1.8	150	400	Spray Distance 130 mm	250	-		
LS-400-1305	1.3 ET			160				-		
LS-400-1405	1.4 ET			170				-		
LS-400-1505	1.5 ET			180		-				
LS-400-ETS12	1.2 ETS			420		1.8	150	Spray Distance 200 mm	310	390
LS-400-ETS13	1.3 ETS						160			400
LS-400-ETS14	1.4 ETS	180	410							
LS-400-ETS15	1.5 ETS	190	425							

• ET: Standard Distance • ETS: Wetter & Longer Spray Distance • Air Nipple: G1/4" • Fluid Nipple: G1/4"



LS-400 entech

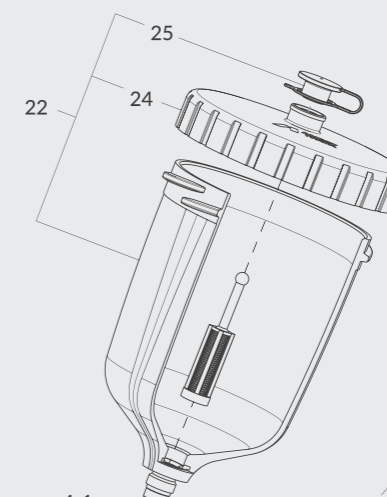
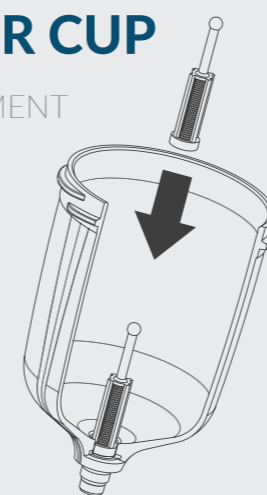
NOVEL



designed by pininfarina

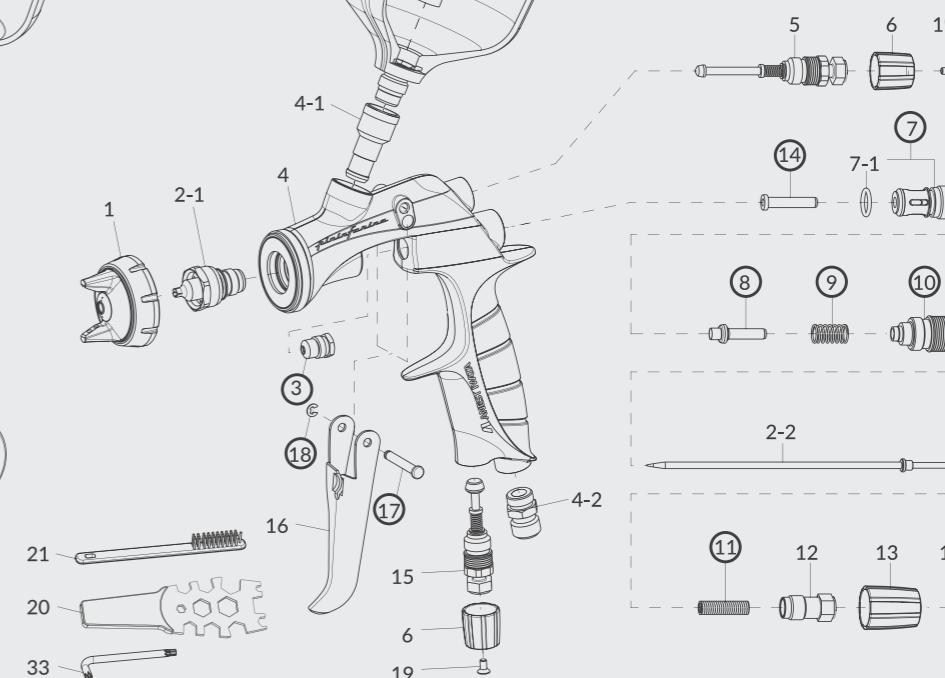
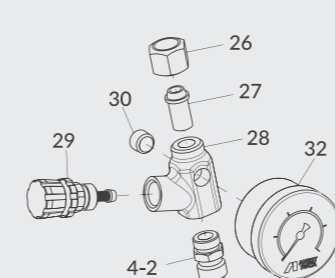
FILTER CUP

PROPER ADJUSTMENT



PC-G600P-2 GRAVITY CUP 600 ml

AFV-1 AIR REGULATOR



SPARE PARTS

REF.	CODE	DESCRIPTION	QTY.
1		AIR CAP SET	
2-1+ 2-2		FLUID NOZZLE + FLUID NEEDLE SET	
3	93810620	NEEDLE PACKING SET	
4-1	93505421	FLUID NIPPLE	
4-2	03660300	AIR NIPPLE	
5	93505432	PATTERN ADJ. SET	
6	93512290	ADJ. KNOB (Green)	
7	03843530	AIR VALVE SEAT SET	
7-1	06638008	'O'RING	
8	93505480	AIR VALVE	
9	03719530	AIR VALVE SPRING	
10	93505492	FLUID ADJ. GUIDE SET	
11	03593530	FLUID NEEDLE SPRING	
12	93505823	FLUID ADJ. SCREW SET	
13	93512730	FLUID ADJ. KNOB (Green)	
14	93935430	AIR VALVE SHAFT	
15	93505842	AIR ADJ. SET	
16	93505850	TRIGGER	
17	93505860	TRIGGER STUD	
18	96612025	E STOPPER	
19	93512740K	COUNTERSUNK HEAD SCREW (Black)	(3 pcs./1 pk.)
20	930171A0	UNIVERSAL SPANNER	
21	W2COM6163	BRUSHES	(5 pcs./1 pk.)

REF.	CODE	DESCRIPTION
22	14019100	PC-G600P-2 GRAVITY CUP 600 ml
24	94011220	LID
25	94011230	NON DRIP
	14378610	AIR REGULATOR AFV-1
26	94017021	CAP NUT
27	94006220	JOINT SEAT
28	94006231	BODY
29	94006240	AIR REGULATOR VALVE SET
30	96990425	PLUG
32	W3COM6065	PRESSURE GAUGE
33	03506480K	ALLEN WRENCH SET (3 pcs./1 pk.)

ACCESSORIES

CODE	DESCRIPTION
93505330	AIR CAP PACKING (WHITE)
93505341	AIR CAP "L" PACKING (BLACK)
W2KIT55UK	CLEANING KIT
W2COM6189	REPAIRING KIT 1 (includes: air valve seat set, air valve, air valve spring, fluid needle spring, air valve shaft, fluid adj. guide set, trigger stud, e stopper, needle packing cartridge).
94011240	FILTER 60 Mesh (250µ)

ORDER INFORMATION

PRO KIT- CARTON BOX or PLASTIC CASE

LS-400 Entech Spray Gun
PC-G600P-2 CUP - 600 ml
Cleaning Brushes - Universal Spanner

ET	Ø 1,2	Ø 1,3	Ø 1,4	Ø 1,5
LS-400 - MASTER KIT	13186521	13186533	13186544	13186551
LS-400 - PRO KIT (Plastic Case)	13186521PL	13186533PL	13186544PL	13186551PL
LS-400 - PRO KIT (Carton Box)	13186521P	13186533P	13186544P	13186551P
AIR CAP SET (LS-400-05)	93512100			
FLUID NOZZLE + FLUID NEEDLE SET	93512140	93512160	93512190	93512210

ETS	Ø 1,2	Ø 1,3	Ø 1,4	Ø 1,5
LS-400 - MASTER KIT	13186522	13186534	13186545	13186552
LS-400 - PRO KIT (Plastic Case)	13186522PL	13186534PL	13186545PL	13186552PL
LS-400 - PRO KIT (Carton Box)	13186522P	13186534P	13186545P	13186552P
AIR CAP SET (LS-400-05)	93512100			
FLUID NOZZLE + FLUID NEEDLE SET	93512760	93512780	93513120	93513140



MASTER KIT - PLASTIC CASE

LS-400 Entech Spray Gun
PC-G600P-2 CUP - 600 ml
Air Regulator AFV-1
Cleaning Brushes - Universal Spanner



BASECOAT

WS-400 EvoBase

PREMIUM QUALITY

FEATURES

Perfect surfaces thanks to the Split Nozzle™ technology
Soft spray pattern for easy handling when blending
High fluid transfer, maximum material saving
Large and uniform spray pattern
VOC-compliant professional spray gun (more than 65% transfer efficiency)
Clearly visible reduction of "fat edges"

Low background noise
Lightweight spray gun body
Simple adjustment of the control knobs, for right and left handers
Conical seal nozzle, minimum wear parts
Clearer design, easy maintenance
Quality surface for easy cleaning

SPLIT NOZZLE™ PRE-ATOMIZATION TECHNOLOGY



WS-400
EVO

Super
NOVEL



designed by
pininfarina

TECHNICAL DATA	Ø mm	No.	bar	m³/min	NL/min	mm
WS-400 -1201 EVO	1.2	WS-400-01	2.0	120	370	250
WS-400 -1301 EVO	1.3					260
WS-400 -1401 EVO	1.4					265
WS-400 -1301HD EVO	1.3 HD (1.3.2)					270
WS-400 -1401HD EVO	1.4 HD (1.4.2)					275
WS-400 -1501HD EVO	1.5 HD (1.5.2)					260
WS-400 -1301OBS EVO	1.3 OBS	160	260	365		

• HD (High Delivery) • OBS (Optimized Basecoat Setting) • Air Nipple: G1/4" • Fluid Nipple: G1/4"



PRO KIT - CARTON BOX or PLASTIC CASE

WS-400 Evo Base Spray Gun
PC-G600P-2 CUP - 600 ml
Cleaning Brushes - Universal Spanner

ORDER INFORMATION

	Ø 1,2	Ø 1,3	Ø 1,4	Ø 1,3 HD
WS-400 EVO - MASTER KIT TER KIT	13244112E	13144113E	13244116E	13244121E
WS-400 EVO - PRO KIT (Plastic Case)	13244112EPL	13244113EPL	13244116EPL	13244121EPL
WS-400 EVO - PRO KIT (Carton Box)	13244112EP	13244113EP	13244116EP	13244121EP
AIR CAP SET (WS-400-01)	93505300			
FLUID NOZZLE + FLUID NEEDLE SET	93506400	93505350	93506800	93506910

	Ø 1,3 OBS	Ø 1,4 HD	Ø 1,5 HD	-
WS-400 EVO - MASTER KIT	13244118E	13244123E	13244125E	-
WS-400 EVO - PRO KIT (Plastic Case)	13244118EPL	13244123EPL	13244125EPL	-
WS-400 EVO - PRO KIT (Carton Box)	13244118EP	13244123EP	13244125EP	-
AIR CAP SET (WS-400-01)	93505300			
FLUID NOZZLE + FLUID NEEDLE SET	93506850	93506920	93506930	-

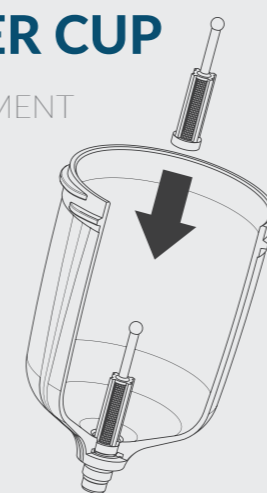


MASTER KIT - PLASTIC CASE

WS-400 Evo Base Spray Gun
PC-G600P-2 CUP - 600 ml
Air Regulator AFV-1
Cleaning Brushes - Universal Spanner

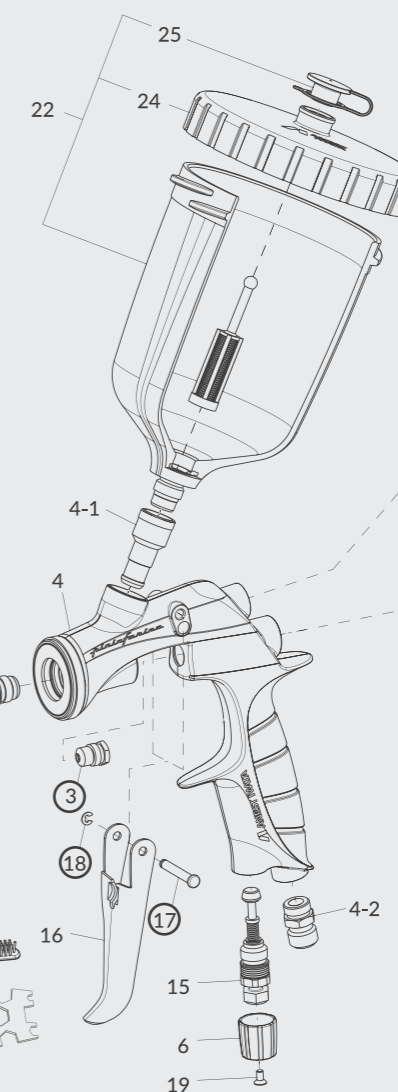
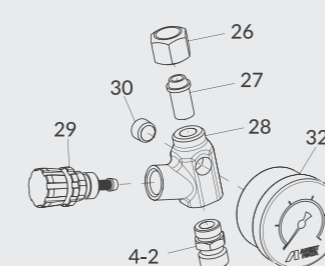
FILTER CUP

PROPER
ADJUSTMENT



AFV-1

AIR REGULATOR



PC-G600P-2
GRAVITY CUP
600 ml



SPARE PARTS

REF.	CODE	DESCRIPTION	QTY.
1		AIR CAP SET	
2-1+ 2-2		FLUID NOZZLE + FLUID NEEDLE SET	
3	93810620	NEEDLE PACKING SET	
4-1	93505421	FLUID NIPPLE	
4-2	03660300	AIR NIPPLE	
5	93505432	PATTERN ADJ. SET	
6	93506462	ADJ. KNOB (Gold)	
7	03843530	AIR VALVE SEAT SET	
7-1	06638008	'O'RING	
8	93505480	AIR VALVE	
9	03719530	AIR VALVE SPRING	
10	93505492	FLUID ADJ. GUIDE SET	
11	03593530	FLUID NEEDLE SPRING	
12	93505823	FLUID ADJ. SCREW SET	
13	93506472	FLUID ADJ. KNOB (Gold)	
14	93935430	AIR VALVE SHAFT	
15	93505842	AIR ADJ. SET	
16	93505850	TRIGGER	
17	93505860	TRIGGER STUD	
18	96612025	E STOPPER	
19	93506980K	COUNTERSUNK HEAD SCREW (Gold)	(3 pcs./1 pk.)
20	930171A0	UNIVERSAL SPANNER	
21	W2COM6163	BRUSHES	(5 pcs./1 pk.)

REF.	CODE	DESCRIPTION
22	14019100	PC-G600P-2 GRAVITY CUP 600 ml
24	94011220	LID
25	94011230	NON DRIP
	14378610	AIR REGULATOR AFV-1
26	94017021	CAP NUT
27	94006220	JOINT SEAT
28	94006231	BODY
29	94006240	AIR REGULATOR VALVE SET
30	96990425	PLUG
32	W3COM6065	PRESSURE GAUGE
33	03506480K	ALLEN WRENCH SET (3 pcs./1 pk.)

ACCESSORIES

CODE	DESCRIPTION
93505330	AIR CAP PACKING (WHITE)
93505341	AIR CAP "L" PACKING (BLACK)
W2KIT55UK	CLEANING KIT
W2COM6189	REPAIRING KIT 1 (includes: air valve seat set, air valve, air valve spring, fluid needle spring, air valve shaft, fluid adj. guide set, trigger stud, e stopper, needle packing cartridge).
94011240	FILTER 60 Mesh (250µ)

WS-400 EvoBase



BASECOAT

W-400WB2 ClassicPlus

HIGH QUALITY

FEATURES

- Perfect surfaces thanks to the Split Nozzle™ technology
- VOC-compliant professional spray gun (more than 65% transfer efficiency)
- Very fine atomization
- Ideal for blending
- Low background noise
- 380 g: one of the most lightweight spray guns on the market
- Conical seal nozzle, minimum wear parts
- Quality surface for easy cleaning
- Clearer design, easy maintenance

SPLIT NOZZLE™ PRE-ATOMIZATION TECHNOLOGY

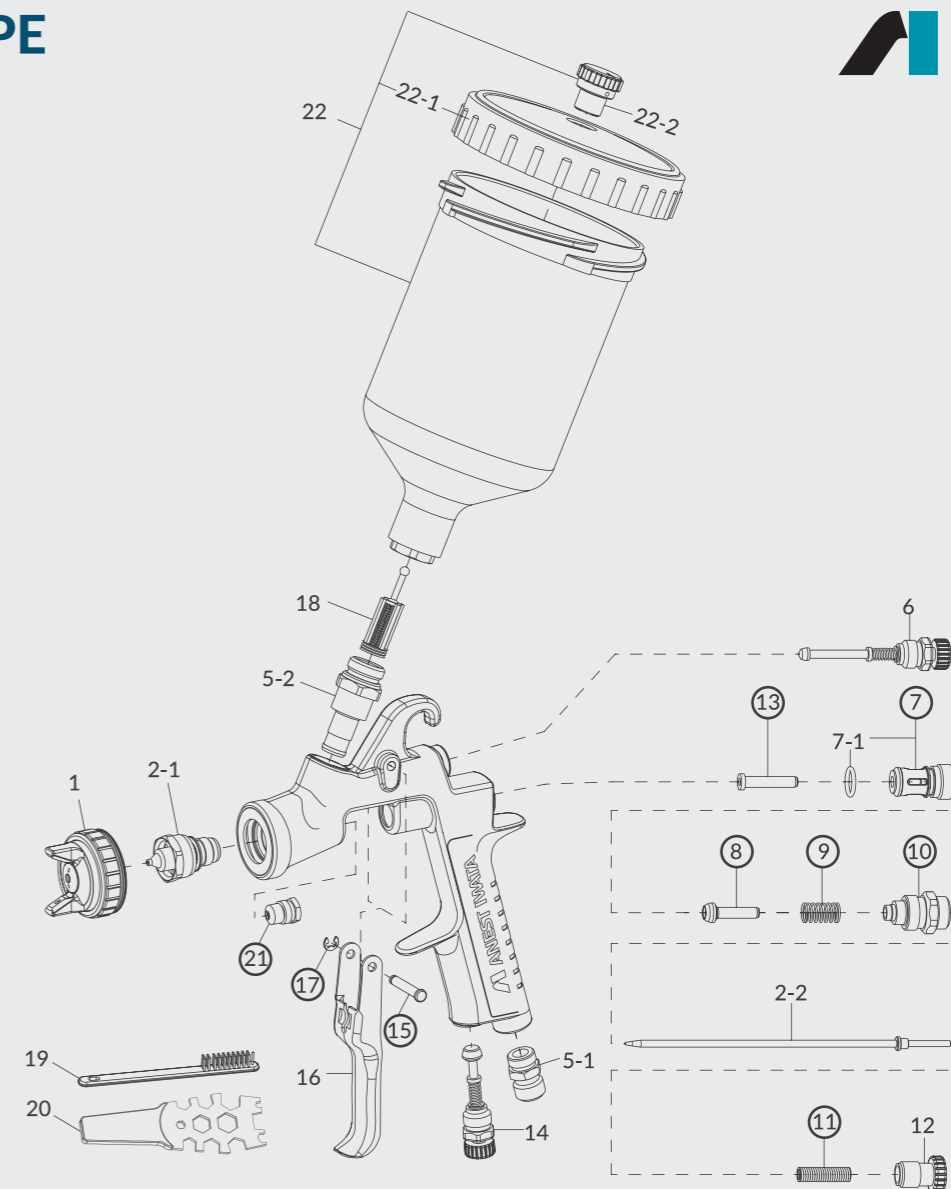
TECHNICAL DATA	Ø mm	No.	bar	m ³ /min	N ^l /min	mm
W-400 WB-101G	1.0	WB1	1.8	90	230	230
W-400 WB-121G	1.2			120		260
W-400 WB-131G	1.3			140		280
W-400 WB-141G	1.4			160		290
W-400 WB-122G	1.2	WB2	1.8	160	390	300
W-400 WB-132G	1.3					310
W-400 WB-142G	1.4					310
W-400 WB-162G	1.6					340

• Air nipple: G1/4" • Fluid nipple: M16 x 1.5mm



PCG-6-PE

GRAVITY
CUP
600 ml



SPARE PARTS

REF.	CODE	DESCRIPTION	QTY.
1		AIR CAP SET	
2-1+ 2-2		FLUID NOZZLE + FLUID NEEDLE SET	
5-1	03660300	AIR NIPPLE	
5-2	93650531	FLUID NIPPLE	
6	93842601	PATTERN ADJ. SET	
7	03843530	AIR VALVE SEAT SET	
7-1	06638008	'O' RING	
8	03591530	AIR VALVE	
9	03719530	AIR VALVE SPRING	
10	93844532	FLUID ADJ. GUIDE SET	
11	03593530	FLUID NEEDLE SPRING	
12	93594532	FLUID ADJ. KNOB	
13	93935430	AIR VALVE SHAFT	
14	93845531	AIR ADJ. SET	
15	03667360	TRIGGER STUD	
16	03517600	TRIGGER	
17	03912030	E STOPPER	(2 pcs./1 pk.)
18	03515500	FILTER 60 Mesh (250µ)	
19	W2COM6163	BRUSHES	5 pcs.
20	930171A0	UNIVERSAL SPANNER	
21	93810620	NEEDLE PACKING SET	

REF.	CODE	DESCRIPTION
22	14011001	PCG-6-PE GRAVITY CUP 600 ml
22-1	04002300	LID
22-2	04003320	NON DRIP

ACCESSORIES

CODE	DESCRIPTION
03708240	AIR CAP PACKING (WHITE)
03512600	AIR CAP "L" PACKING (BLACK)
W2KIT55UK	CLEANING KIT
W2COM6190	REPAIRING KIT 2 (includes: air valve seat set, air valve, air valve spring, fluid needle spring, fluid adj. guide set, air valve shaft, trigger stud, e stopper, needle packing cartridge).

ORDER INFORMATION

W-400 WB1	Ø 1,0	Ø 1,2	Ø 1,3	Ø 1,4
W-400 WB1 - PRO KIT	13241411P	13241412P	13241413P	13241414P
AIR CAP SET (WB1)	93896610			
FLUID NOZZLE + FLUID NEEDLE SET	93626610	93627610	93634610	93628610

W-400 WB2	Ø 1,2	Ø 1,3	Ø 1,4	Ø 1,6
W-400 WB2 - PRO KIT	13241411P	13241412P	13241417P	13241418P
AIR CAP SET (WB2)	93624620			
FLUID NOZZLE + FLUID NEEDLE SET	93627610	93634610	93628610	93622620



PRO KIT - CARTON BOX

W-400 WB Spray Gun
PCG 6 PE CUP - 600 ml
Cleaning Brushes - Universal Spanner



PRIMER







LPH-300 (LVLP)

PREMIUM QUALITY

FEATURES

- High material saving thanks to the LVLP and the Split Nozzle™ technology
- Low overspray
- Extremely low air supply pressure (1.0 bar - 1.5 bar)
- Very low air consumption (200 NI/min)
- Pleasant handling thanks to the lightweight spray gun body
- Suitable for wet on wet applications (with 1.4/1.6 mm)
- Low background noise
- Simple adjustment of the control knobs, for right and left handers
- Conical seal nozzle, minimum wear parts
- Quality surface for easy cleaning
- Clearer design, easy maintenance

SPLIT NOZZLE™ PRE-ATOMIZATION TECHNOLOGY

TECHNICAL DATA	 Ø mm	 No.	 bar	 m³/min	 NI/min	 mm
LPH-300 - 104LV	1.0	LV4	1.3	50	240	200
LPH-300 - 124LV	1.2			70		210
LPH-300 - 144LV	1.4			90		250
LPH-300 - 164LV	1.6			110		230
LPH-300 - 184LV	1.8			130		
LPH-300 - 204LV	2.0			150		

• Air Nipple: G1/4" • Fluid Nipple: G1/4"

Further development of HVLP technology



LOW VOLUME
LOW PRESSURE



PRO KIT - CARTON BOX

- LPH-300 Spray Gun
- PC-G600P-2 CUP - 600 ml
- Cleaning Brushes
- Universal Spanner

PRO KIT - CARTON BOX

- LPH-300 Spray Gun
- PCG 2P-2 CUP - 200 ml
- Cleaning Brushes - Universal Spanner

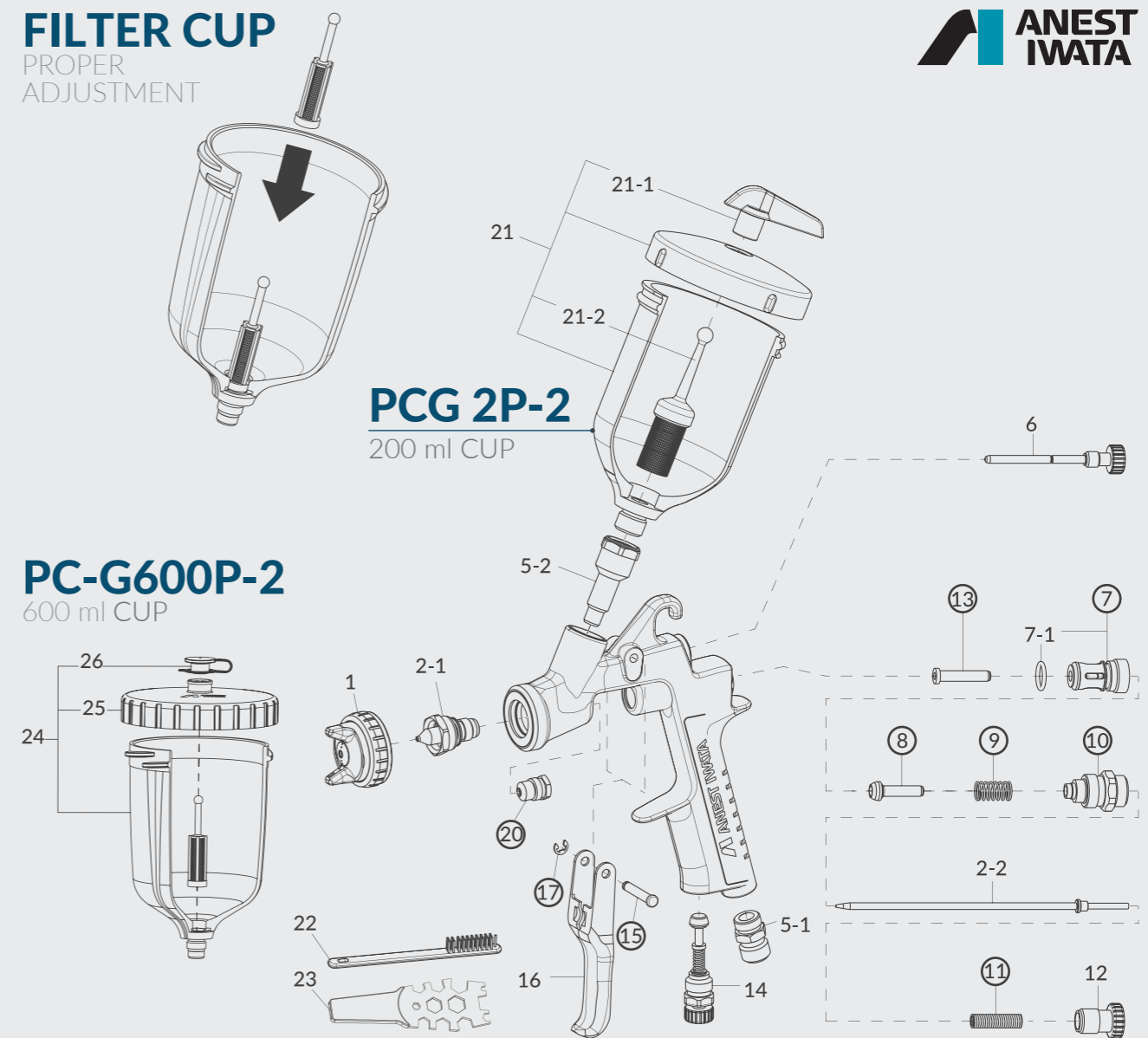
ORDER INFORMATION

	Ø 1,0	Ø 1,2	Ø 1,4
LPH-300 - PRO KIT (600 ml CUP)	13189063P	13189003P	13189034P
LPH-300 - PRO KIT (200 ml CUP)	13189061P	13189001P	13189011P
AIR CAP SET (LV4)	93875602		
FLUID NOZZLE + FLUID NEEDLE SET	93518650	93867600	93862600

	Ø 1,6	Ø 1,8	Ø 2,0
LPH-300 - PRO KIT (600 ml CUP)	13189023P	13189033P	13189035P
LPH-300 - PRO KIT (200 ml CUP)	13189021P	-	-
AIR CAP SET (LV4)	93875602		
FLUID NOZZLE + FLUID NEEDLE SET	93869600	93871600	93621600

FILTER CUP

PROPER
ADJUSTMENT



PC-G600P-2 600 ml CUP

REF.	CODE	DESCRIPTION	QTY.
1		AIR CAP SET	
2-1+ 2-2		FLUID NOZZLE + FLUID NEEDLE SET	
5-1	03660300	AIR NIPPLE	
5-2	03575620	FLUID NIPPLE	
6	03577620	PATTERN ADJ. SET	
7	03843530	AIR VALVE SEAT SET	
7-1	06638008	'O' RING	
8	03591530	AIR VALVE	
9	03719530	AIR VALVE SPRING	
10	93844532	FLUID ADJ. GUIDE SET	
11	03593530	FLUID NEEDLE SPRING	
12	93594532	FLUID ADJ. KNOB	
13	93935430	AIR VALVE SHAFT	
14	93845531	AIR ADJ. SET	
15	03667360	TRIGGER STUD	
16	03597530	TRIGGER	
17	03912030	E STOPPER	(2 pcs./1 pk.)
20	93810620	NEEDLE PACKING SET	

SPARE PARTS

REF.	CODE	DESCRIPTION
22	W2COM6163	BRUSHES (5 pcs./1 pk.)
23	930171A0	UNIVERSAL SPANNER
21	WOCUPAZ40IN	PCG-2P-2 GRAVITY CUP 200 ml
21-1	W2KIT07	NON DRIP SET (5 pcs./1pk.)
21-2	W2KIT06	FILTER 50 Mesh (297µ) (5 pcs./1pk.)
24	14019100	PC-G600P-2 GRAVITY CUP 600 ml
25	94011220	LID (for 600 ml cup)
26	94011230	NON DRIP (for 600 ml cup)

ACCESSORIES

CODE	DESCRIPTION
03608320	AIR CAP PACKING (WHITE)
03576530	AIR CAP "L" PACKING (BLACK)
W2KIT55UK	CLEANING KIT
W2COM6190	REPAIRING KIT 2 (includes: air valve seat set, air valve, air valve spring, fluid needle spring, air valve shaft, fluid adj. guide set, trigger stud, e stopper, needle packing cartridge).
94011240	FILTER 60 Mesh (250µ)



LPH-300 (LVLP)



PRIMER

W-400 BELLARIA ClassicPlus

HIGH QUALITY

FEATURES

- High quality filler spray gun
- Perfect surfaces obtained with the Flat & Thin™ technology
- Only 250/270 l/min of air consumption, gives to the sprayer an excellent painting control
- Stable, large and compact spray pattern
- VOC-compliant professional spray gun (more than 65% transfer efficiency)
- Low background noise
- Conical seal nozzle, minimum wear parts
- Quality surface for easy cleaning
- Clearer design, easy maintenance



TECHNICAL DATA	Ø mm	No.	bar	m ³ /min	N ^l /min	mm
W-400 WB-104G	1.0	BA4-1	2.0	130	250	200
W-400 WB-124G	1.2			180		220
W-400 WB-134G	1.3			220		280
W-400 WB-144G	1.4			250		300
W-400 WB-164G	1.6	BA4-2	2.0	285	270	330
W-400 WB-184G	1.8			360		375
W-400 WB-204G	2.0			375		390

• Air nipple: G1/4" • Fluid nipple: M16 x 1.5mm



ORDER INFORMATION

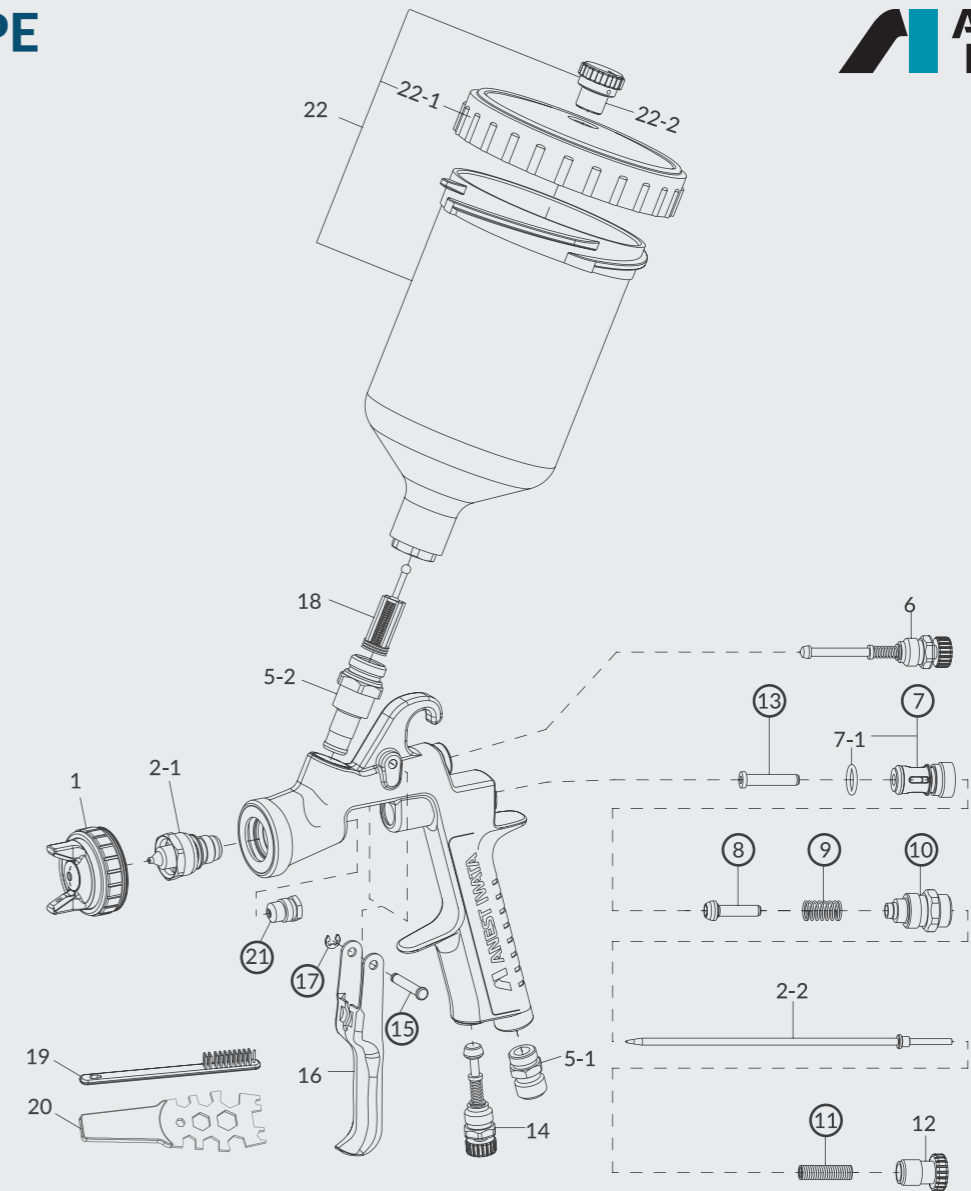
	Ø 1,0	Ø 1,2	Ø 1,3	Ø 1,4
W-400 Bellaria - PRO KIT	13328511P	13328512P	13328513P	13328514P
AIR CAP SET (BA4-1)	93611700			
AIR CAP SET (BA4-2)	-		93611710	
FLUID NOZZLE + FLUID NEEDLE SET	93611720	93611730	93611740	93611750
	Ø 1,6	Ø 1,8	Ø 2,0	-
W-400 Bellaria - PRO KIT	13328516P	13328518P	13328519P	-
AIR CAP SET (BA4-2)	93611710			
FLUID NOZZLE + FLUID NEEDLE SET	93611760	93611770	93611780	-

PRO KIT - CARTON BOX

WS-400 Bellaria Spray Gun
PCG 6 PE CUP - 600 ml
Cleaning Brushes - Universal Spanner

PCG-6 PE

GRAVITY
CUP
600 ml



SPARE PARTS

REF.	CODE	DESCRIPTION	QTY.
1		AIR CAP SET	
2-1+ 2-2		FLUID NOZZLE + FLUID NEEDLE SET	
5-1	03660300	AIR NIPPLE	
5-2	93650531	FLUID NIPPLE	
6	93611930	PATTERN ADJ. SET	
7	03843530	AIR VALVE SEAT SET	
7-1	06638008	'O' RING	
8	03591530	AIR VALVE	
9	03719530	AIR VALVE SPRING	
10	93844532	FLUID ADJ. GUIDE SET	
11	03593530	FLUID NEEDLE SPRING	
12	93611900	FLUID ADJ. KNOB	
13	93935430	AIR VALVE SHAFT	
14	93611940	AIR ADJ. SET	
15	03667360	TRIGGER STUD	
16	03517600	TRIGGER	
17	03912030	E STOPPER	(2 pcs./1 pk.)
18	03515500	FILTER 60 Mesh (250µ)	
21	93810620	NEEDLE PACKING SET	
19	W2COM6163	BRUSHES	(5 pcs./1 pk.)
20	930171A0	UNIVERSAL SPANNER	

REF.	CODE	DESCRIPTION
22	14011001	PCG-6-PE GRAVITY CUP 600 ml
22-1	04002300	LID
22-2	04003320	NON DRIP

ACCESSORIES

CODE	DESCRIPTION
03708240	AIR CAP PACKING (WHITE)
03512600	AIR CAP "L" PACKING (BLACK)
W2KIT55UK	CLEANING KIT
W2COM6190	REPAIRING KIT 2 (includes: air valve seat set, air valve, air valve spring, fluid needle spring, fluid adj. guide set, air valve shaft, trigger stud, e stopper, needle packing cartridge).

W-400 BELLARIA ClassicPlus



AZ3 HTE-S Impact

STANDARD QUALITY

FEATURES

- High quality filler spray gun
- Flat & Thin™ spray pattern with fine atomization
- All fluid passages are in stainless steel
- Trigger easy to dose
- Simple operation of the control knobs, for right and left handers
- Costs for spare parts replacement extremely customer friendly

HOMOGENEOUS and FINE ATOMIZATION

HTE-S IMPACT - High Performance Spray Technology

TECHNICAL DATA	Ø mm	No.	bar	m ³ /min	N ₂ /min	mm
AZ3 HTE-S IMPACT	1.2	HTE-S1	2.0	240	325	190
	1.3			265		210
	1.4			279		230
	1.6	289		250		
	1.8	322		312		
	2.0	HTE-S2		361		270

• Air nipple: G1/4" • Fluid nipple: G1/4"

Impact
AZ3 HTE-S
BLACK VERSION

HTE
HIGH TRANSFER
EFFICIENCY



CARTON BOX

AZ3 HTE-S Impact Spray Gun
PCG-6P-2 AZ CUP - 600 ml



ORDER INFORMATION

	Ø 1,2	Ø 1,3	Ø 1,4
AZ3 HTE-S IMPACT - Black Version	W0SPG90AG12C	W0SPG90AG13C	W0SPG90AG14C
AZ3 HTE-S IMPACT - Chrome Version	W0SPG91AG12C	W0SPG91AG13C	W0SPG91AG14C
AIR CAP SET (HTE-S1)	W2CAP90AG12		
FLUID NOZZLE + FLUID NEEDLE SET	W2ADU90AG12	W2ADU90AG13	W2ADU90AG14

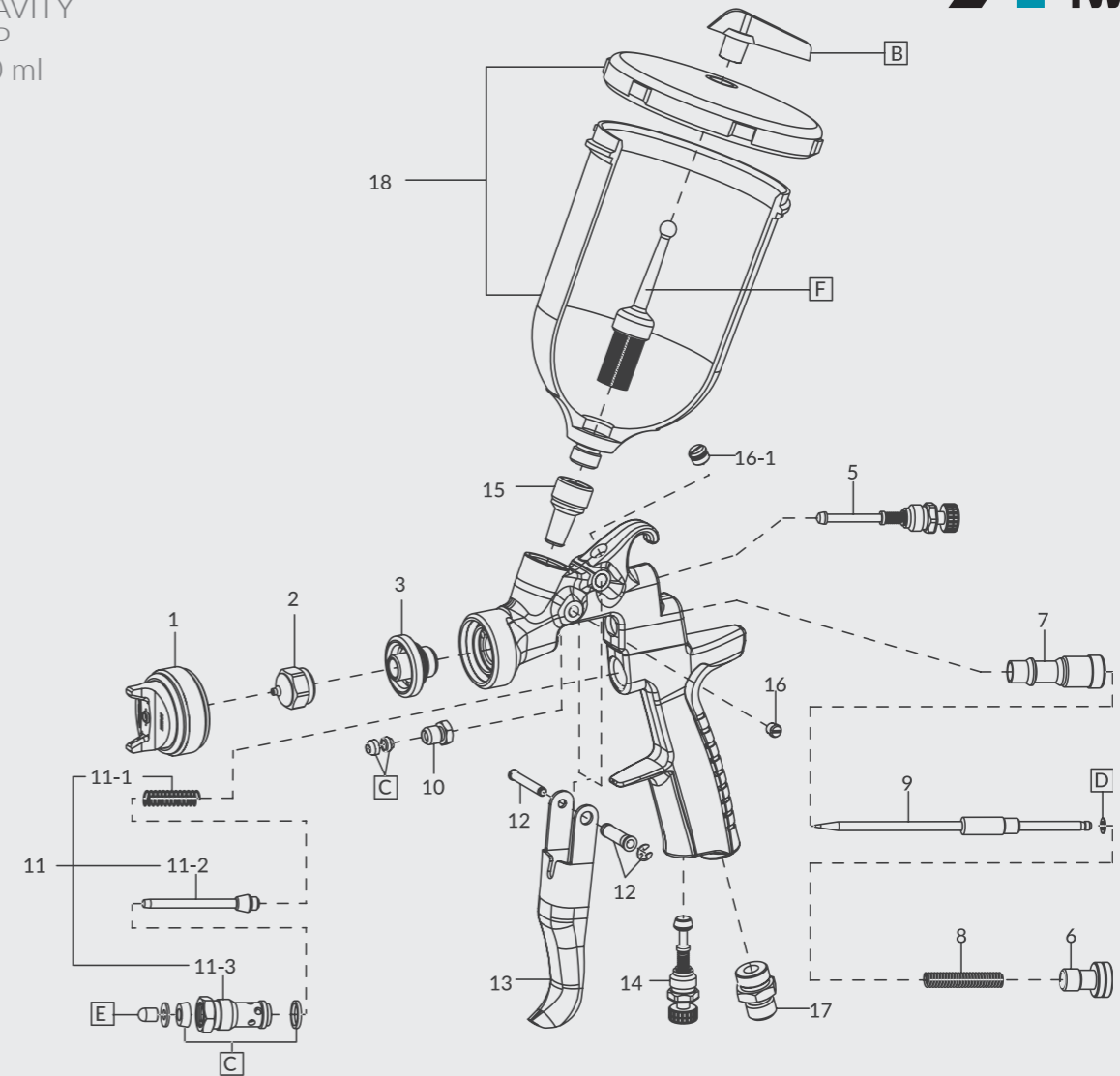
	Ø 1,6	Ø 1,8	Ø 2,0
AZ3 HTE-S IMPACT - Black Version	W0SPG90AG16C	W0SPG90AG18C	W0SPG90AG20C
AZ3 HTE-S IMPACT - Chrome Version	W0SPG91AG16C	W0SPG91AG18C	W0SPG91AG20C
AIR CAP SET (HTE-S2)	W2CAP90AG16		
FLUID NOZZLE + FLUID NEEDLE SET	W2ADU90AG16	W2ADU90AG18	W2ADU90AG20



CHROMED
VERSION

PCG-6P-2-AZ

GRAVITY
CUP
600 ml



SPARE PARTS

REF.	CODE	DESCRIPTION	QTY.
1		AIR CAP SET	
2+9		FLUID NOZZLE + FLUID NEEDLE SET	
3	W3COM3050	NOZZLE HOLDER	
5	93842601	PATTERN ADJ. SET	
6	W2COM6077	FLUID NEEDLE ADJ. KNOB	
7	W2010140900	FLUID NEEDLE GUIDE	
8	W2010140800	FLUID NEEDLE SPRING	
10	W2010140600	FLUID NEEDLE PACKING NUT	
11	W2COM6080	AIR VALVE SET	
11-1	W2010141700	AIR VALVE SPRING	
11-2	W2010130600	AIR VALVE	
11-3	W2010130500	AIR VALVE SEAT	
12	W2COM4041	TRIGGER STUD	
13	W2COM6051	TRIGGER	
14	93845531	AIR ADJ. SET	
15	W3COM5038	THREADED BUSHING	
16	W2COM5004	SCREW	
16-1	W2COM6050	PLUG	
17	W2COM5039	AIR NIPPLE	
C	W2KIT56	PACKING SET	(3 pcs./1 pk.)
D	W2KIT33	SLIDE RING SET	(10 pcs./1 pk.)
E	W2KIT37	AIR VALVE SHAFT TIP SET	(5 pcs./1 pk.)

REF.	CODE	DESCRIPTION
18	W0CUPAZ90	PCG-6P-2-AZ GRAVITY CUP 600 ml
B	W2KIT07	NON DRIP SET (5 pcs./1 pk.)
F	W2KIT06	FILTER SET 50 MESH (297µ) (5 pcs./1 pk.)
	W2KIT55UK	CLEANING KIT

SPRAY PUTTY



AZ3 HTE2 HVLP

STANDARD QUALITY

FEATURES

- Robust spray gun for materials with high viscosity
- Trigger easy to dose
- Simple operation of the control knobs, for right and left handers
- Costs for spare parts replacement extremely customer friendly



HVLP
HIGH VOLUME
LOW PRESSURE
TECHNOLOGY



TECHNICAL DATA	Ø mm	No.	bar	ml/min	l/min	mm
AZ3 HTE2 AV HVLP	2.0	HVLP	2.0	240	340	360

• Air nipple: G1/4" • Fluid nipple: G1/4"



SPECIAL WRENCH ACCESSORIES



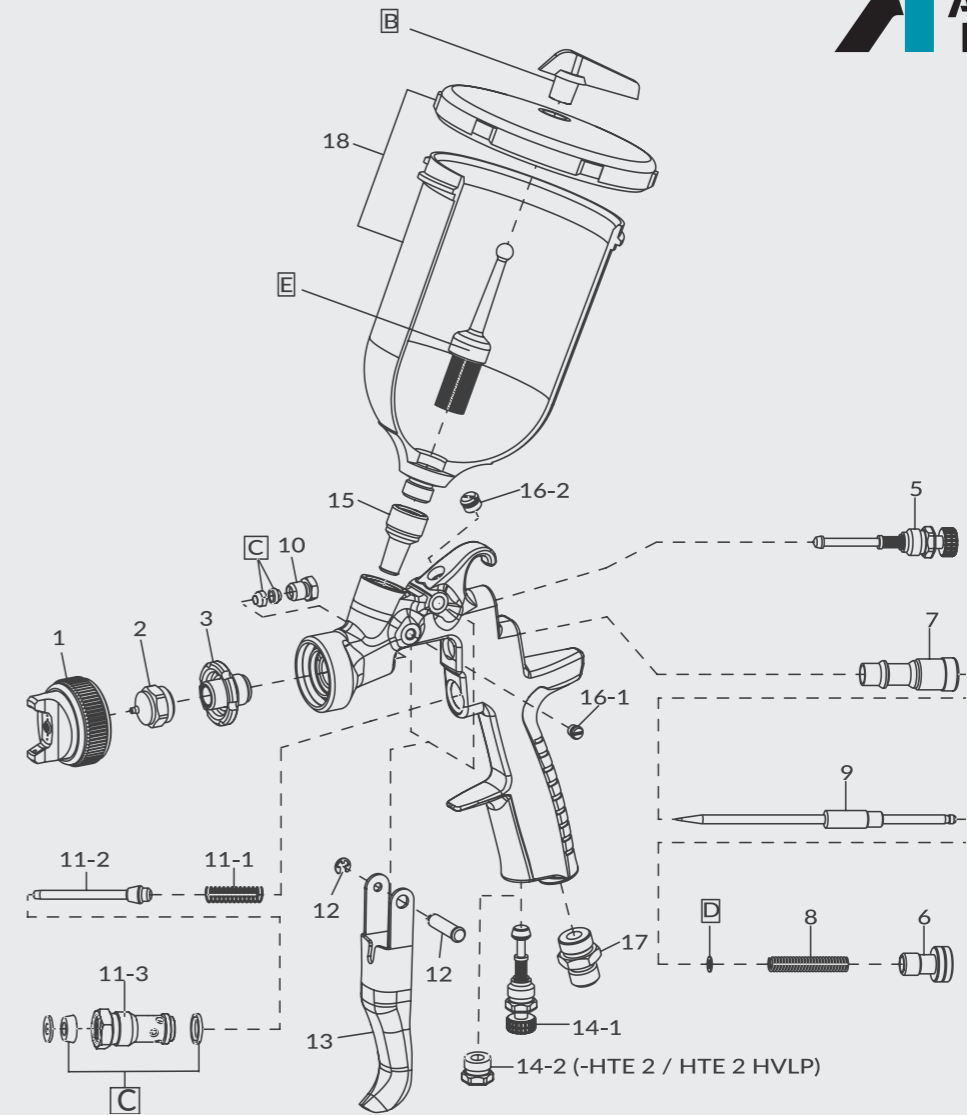
ORDER INFORMATION



CARTON BOX
AZ3 HTE2 HVLP Spray Gun
PCG-6P-2B AZ CUP - 600 ml

	ø 2,0
AZ3 HTE2 HVLP with 600 ml CUP	W0SPG85AG20C
AIR CAP SET (HVLP)	W2CAP84AG
FLUID NOZZLE + FLUID NEEDLE SET	W2013031300

**PCG-6B
2B-AZ**
GRAVITY
CUP
600 ml



SPARE PARTS

REF.	CODE	DESCRIPTION	QTY.
1		AIR CAP SET	
2+9		FLUID NOZZLE + NEEDLE SET	
3	W2010140200	NOZZLE HOLDER	
5	93842601	PATTERN ADJ. SET	
6	W2010141000	FLUID NEEDLE ADJ. KNOB	
7	W2010140900	FLUID NEEDLE GUIDE	
8	W2010140800	FLUID NEEDLE SPRING	
10	W2010140600	FLUID NEEDLE PACKING NUT	
11	W2010120100	AIR VALVE SET	
11-1	W2010141700	AIR VALVE SPRING	
11-2	W2010130600	AIR VALVE	
11-3	W2010130500	AIR VALVE SEAT	
12	W2COM4001	TRIGGER STUD	
13	W2COM6051	TRIGGER	
14-1	93845531	AIR ADJ. SET	
14-2	93625370	PLUG	
15	W2013040100	THREADED BUSHING	
16-1	W2COM5004	SCREW	
16-2	W2COM6050	PLUG	
17	W2COM5000	AIR NIPPLE	
C	W2KIT56	PACKING SET	(3 pcs./1 pk.)
D	W2KIT33	SLIDE RING SET	(10 pcs./1 pk.)

REF.	CODE	DESCRIPTION
18	W0012820100	PCG-6P-2B-AZ GRAVITY CUP 600 ml
B	W2KIT07	NON DRIP SET (5 pcs./1 pk.)
E	W2KIT06	FILTER SET 50 Mesh (297µ) (5 pcs./1 pk.)

ACCESSORIES

CODE	DESCRIPTION
W2KIT55UK	CLEANING KIT
VPACAZ3H2	BLACK PLASTIC CASE (for 1 SPRAY GUN and 1 CUP)
W2503500100	SPECIAL WRENCH

AZ3 HTE2 HVLP



SPRAY PUTTY



AZ3 HTE P.A.S. Concept

STANDARD QUALITY

FEATURES

- Robust spray gun with pressurized cup most suitable for high viscosity materials
- Large, uniform spray pattern also with high viscosity materials, thanks to the Pressure Assisted System (P.A.S.)
- Costs for spare parts replacement extremely customer friendly
- High material transfer rate
- All fluid passages are in stainless steel
- Precise mini-controller for cup pressure
- Trigger easy to dose

HTE-P1 CONCEPT

HIGH PERFORMANCE SPRAY TECHNOLOGY

TECHNICAL DATA	Ø mm	No.	bar	m ³ /min	N ₂ /min	mm
AZ3 HTE P.A.S. CONCEPT	1.3	HTE-P1 CONCEPT	2.5	190	286	270
	1.5			260		320
	1.8			396		380
	2.0			410		400

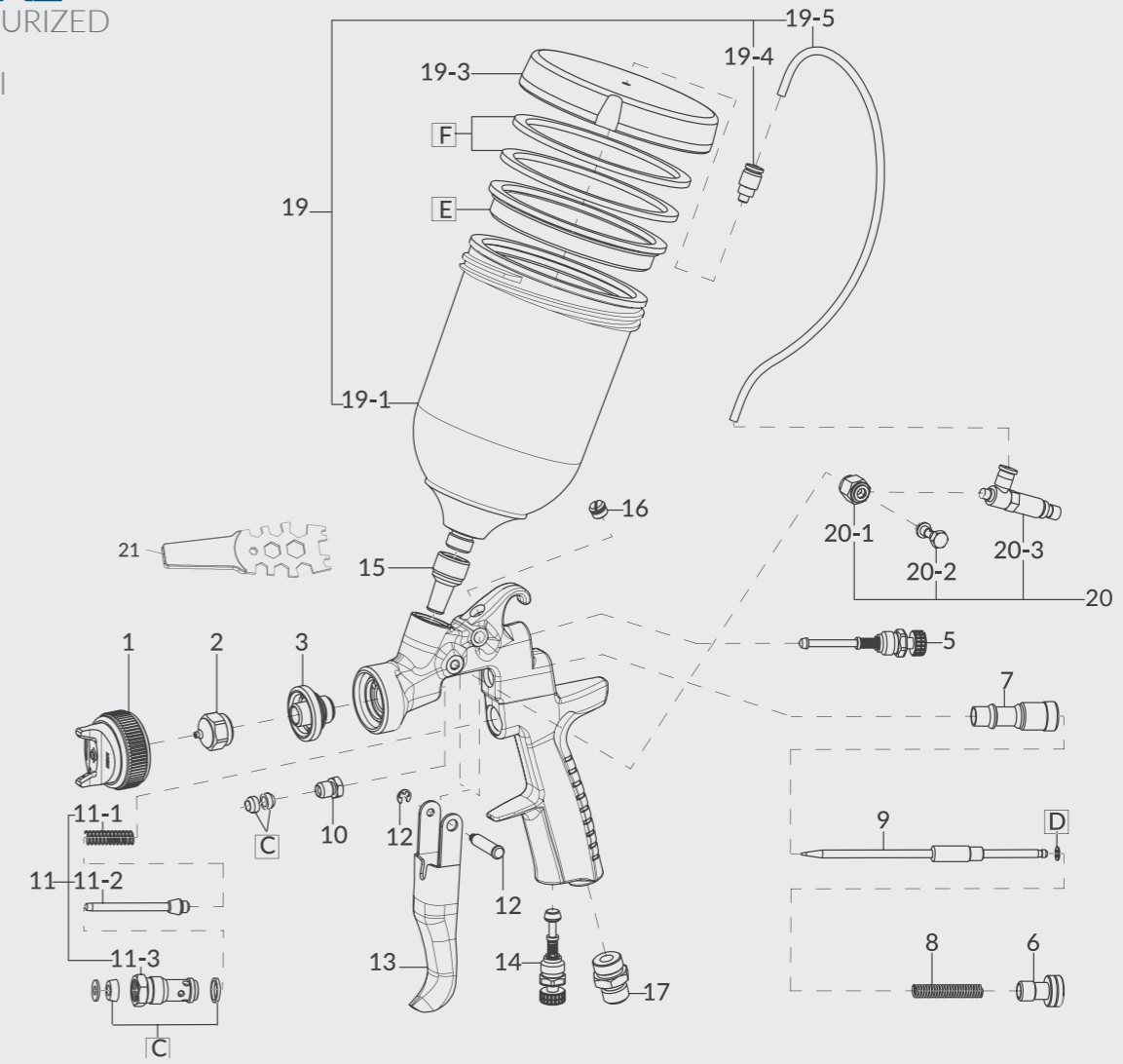
• Air nipple: G1/4" • Fluid nipple: G1/4"



Flat and Long Pattern even spraying heavy materials



**PCGP-6P
2B-AZ**
PRESSURIZED
CUP
600 ml



METAL LID

Sturdy and resistant for heavy duty use



PRESSURE Assisted System

HIGH PRECISION

MINI PRESSURE REGULATOR



ORDER INFORMATION

CARTON BOX

AZ3 HTE P.A.S. Concept Spray Gun
PCGP-6P-2P-AZ PRESSURIZED CUP - 600 ml
Universal Spanner



	Ø 1,3	Ø 1,5	Ø 1,8	Ø 2,0
AZ3 HTE P.A.S.	W0SPG88AG13C	W0SPG88AG15C	W0SPG88AG18C	W0SPG88AG20C
AIR CAP SET (HTE-P1 CONCEPT)	W2CAP83AG13			
FLUID NOZZLE + FLUID NEEDLE SET	W2ADU83AG13	W2ADU83AG15	W2ADU83AG18	W2ADU83AG20

SPARE PARTS

REF.	CODE	DESCRIPTION	QTY.
1		AIR CAP SET	
2+9		NOZZLE + NEEDLE SET	
3	W3COM3050	NOZZLE HOLDER	
5	93842601	PATTERN ADJ. SET	
6	W2010141000	FLUID NEEDLE ADJ. KNOB	
7	W2010140900	FLUID NEEDLE GUIDE	
8	W2010140800	FLUID NEEDLE SPRING	
10	W2010140600	FLUID NEEDLE PACKING NUT	
11	W2010120100	AIR VALVE SET	
11-1	W2010141700	AIR VALVE SPRING	
11-2	W2010130600	AIR VALVE	
11-3	W2010130500	AIR VALVE SEAT	
12	W2COM4001	TRIGGER STUD	
13	W2COM6051	TRIGGER	
14	93845531	AIR ADJ. SET	
15	W3COM5038	THREADED BUSHING	
16	W2COM6050	PLUG	
17	W2COM5000	AIR NIPPLE	
C	W2KIT56	PACKING SET	(3 pcs./1 pk.)
D	W2KIT33	SLIDE RING SET	(10 pcs./1 pk.)

REF.	CODE	DESCRIPTION
19	W0CUPAZ85	PCGP-6P-2B-AZ PRESSURIZED CUP 600 ml
19-1	W3COM1037	PRESSURE CUP
19-3	W3COM1031	LID
19-4	W3COM5041	STRAIGHT MALE ADAPTOR
19-5	0010002700	AIR HOSE
E	W2KIT38	NON DRIP SET (3 pcs.)
F	W2KIT39	LID PACKING SET (4 pcs.)
20	W2SUB6066	PRESSURE REGULATOR SET
20-1	W3COM4030	ORIENTING RING
20-2	W3COM4033	BANJO STEM SINGLE
20-3	W3COM5032	PRESSURE REGULATOR
21	930171A0	UNIVERSAL SPANNER

ACCESSORIES

CODE	DESCRIPTION
W2KIT55UK	CLEANING KIT

AZ3 HTE P.A.S. Concept



SMART REPAIR

W-300 WB

PREMIUM
QUALITY

SPLIT NOZZLE™

PRE-ATOMIZATION TECHNOLOGY

TECHNICAL DATA	Ø mm	No.	bar	m ³ /min	N ² /min	mm
W-300 WB - 101G	1.0			65		230
W-300 WB - 121G	1.2	WB1	1.5	100	190	240
W-300 WB - 141G	1.4			125		250

• Air Nipple: G1/4" • Fluid Nipple: G1/4"



ORDER INFORMATION

	Ø 1,0	Ø 1,2	Ø 1,4
W-300 WB - PRO KIT (600 ml CUP)	13241518P	13241528P	13241508P
W-300 WB - PRO KIT (200 ml CUP)	13241515P	13241525P	13241505P
AIR CAP SET (WB1)		93592621	
FLUID NOZZLE + FLUID NEEDLE SET	93602620	93591620	93595620

W-300

STANDARD
QUALITY

TECHNICAL DATA	Ø mm	No.	bar	m ³ /min	N ² /min	mm
W-300-081G	0.8	E1		60	80	100
W-300-101G	1.0	K1	2.5	100	145	130
W-300-104G	1.0	H4		100	145	130
W-300-132G	1.3	H2		160	225	175

• Air Nipple: G1/4" • Fluid Nipple: G1/4"

ORDER INFORMATION

	Ø 0,8	Ø 1,0	Ø 1,0	Ø 1,3
W-300 PRO KIT (600 ml CUP)	13241828P	13241818P	13241819P	13241808P
AIR CAP SET	E1 93689610	-	-	-
AIR CAP SET	-	-	-	H2 93696610
AIR CAP SET	-	K1 93735610	H4 93662610	-
FLUID NOZZLE + FLUID NEEDLE SET	93590621	93600621	93600621	-
FLUID NOZZLE + FLUID NEEDLE SET	-	-	-	93666610P

CARTON BOX

PRO KIT - with 600 ml CUP
W-300 WB or W-300 Spray Gun
PC-G600P-2 CUP - 600 ml
Cleaning Brushes - Universal Spanner

CARTON BOX

PRO KIT - with 200 ml CUP
W-300 WB Spray Gun
PCG 2P-2 CUP - 200ml
Cleaning Brushes - Universal Spanner

FEATURES

- Perfect surfaces thanks to the Split Nozzle™ technology
- Specific for blending, for example for side walls, bumper and smaller areas
- Barely visible transitions thanks to the soft and fine spray pattern
- Very fine atomization with low air consumption (190 l/min)
- Extremely low material consumption
- Low background noise
- 320 g: one of the most lightweight Smart Repair spray guns on the market
- Simple operation of the control knobs, for right and left handers
- Conical seal nozzle, minimum wear parts
- Clearer design, easy maintenance
- Quality surface for easy cleaning



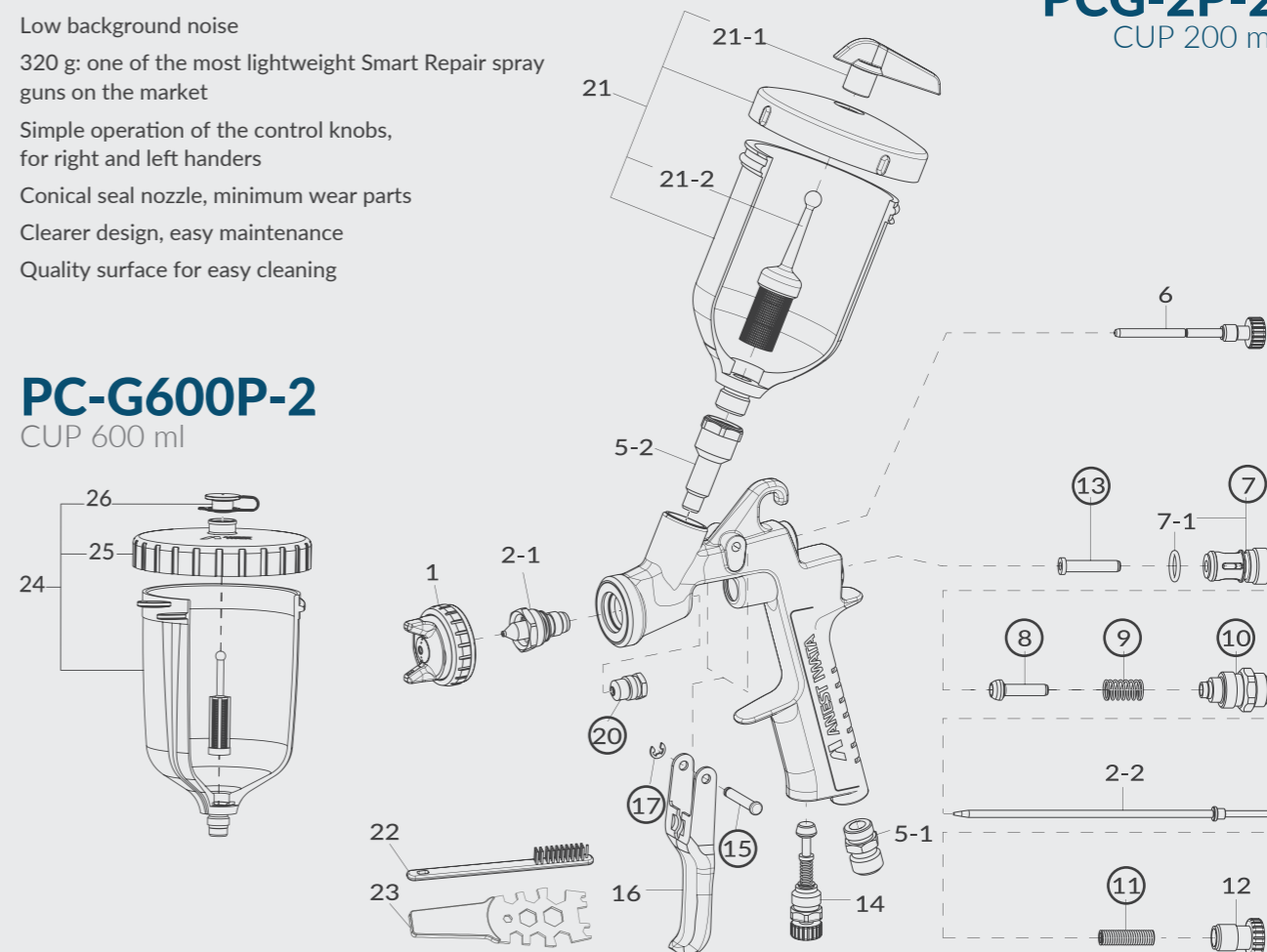
W-300 WB

PCG-2P-2

CUP 200 ml

PC-G600P-2

CUP 600 ml



SPARE PARTS

REF.	CODE	DESCRIPTION	QTY.
5-1	03660300	AIR NIPPLE	
5-2	03575620	FLUID NIPPLE	
6	03577620	PATTERN ADJ. SET	
7	03843530	AIR VALVE SEAT SET	
7-1	06638008	'O'RING	
8	03591530	AIR VALVE	
9	03719530	AIR VALVE SPRING	
10	93844532	FLUID ADJ. GUIDE SET	
11	03593530	FLUID NEEDLE SPRING	
12	93594532	FLUID ADJ. KNOB	
13	93935430	AIR VALVE SHAFT	
14	93845531	AIR ADJ. SET	
15	03667360	TRIGGER STUD	
16	03597530	TRIGGER	
17	03912030	E STOPPER	(2 pcs./1 pk.)
20	93810620	NEEDLE PACKING SET	
22	W2COM6163	BRUSHES	(5 pcs./1 pk.)
23	930171A0	UNIVERSAL SPANNER	

REF.	CODE	DESCRIPTION
21	W0CUPAZ40IN	PCG-2P-2 GRAVITY CUP 200 ml
21-1	W2KIT07	NON DRIP SET (5 pcs./1pk.)
21-2	W2KIT06	FILTER 50 Mesh (297µ) (5 pcs./1pk.)
24	14019100	PC-G600P-2 GRAVITY CUP 600 ml
25	94011220	LID (for 600 ml cup)
26	94011230	NON DRIP (for 600 ml cup)

ACCESSORIES

CODE	DESCRIPTION
03608320	AIR CAP PACKING (WHITE)
03576530	AIR CAP "L" PACKING (BLACK)
W2KIT55UK	CLEANING KIT
W2COM6190	REPAIRING KIT 2 (includes: air valve seat set, air valve, air valve spring, fluid needle spring, air valve shaft, fluid adj. guide set, trigger stud, e stopper, needle packing cartridge).
94011240	FILTER 60 Mesh (250µ)



W-300WB UV Cured Paints

THE W-300 WB UV IS THE LATEST ADDITION TO OUR W-300 SERIES

As the W-300 series is already known for its superior atomization, we have added some very specific features to our 1.2 nozzle size to make it a dedicated specialist for UV paint application. It comes with a black colored 200 ml cup that prevents UV ray exposition of the paint and for extra convenience we have added an Air Cap Cover to protect the area around the nozzle. This prevents remaining paint on the nozzle or air cap from curing while the spray gun is not in use, making it's usage and cleaning as effortless as possible. Although the black cup characterizes the visual appearance of the spray gun already we have added several other black details and an additional engraving to make recognizing it even easier.

FEATURES

- Specific for UV cured paints
- Black UV Paint Cup: 200 ml
- Black Air Cap Cover to prevent paint from drying
- A very fine atomization even at a low air inlet pressure
- Higher-transfer efficiency
- Lower air consumption & less overspray
- The spray pattern is large, uniform, flat, soft



SPLIT NOZZLE™
PRE-ATOMIZATION TECHNOLOGY

TECHNICAL DATA	Ø mm	No.	bar	m³/min	Nl/min	mm
W-300 WB 121G	1.2	WB1	1.5	100	190	240

• Air Nipple: G1/4" • Fluid Nipple: G1/4"



ORDER INFORMATION

PRO KIT - CARTON BOX

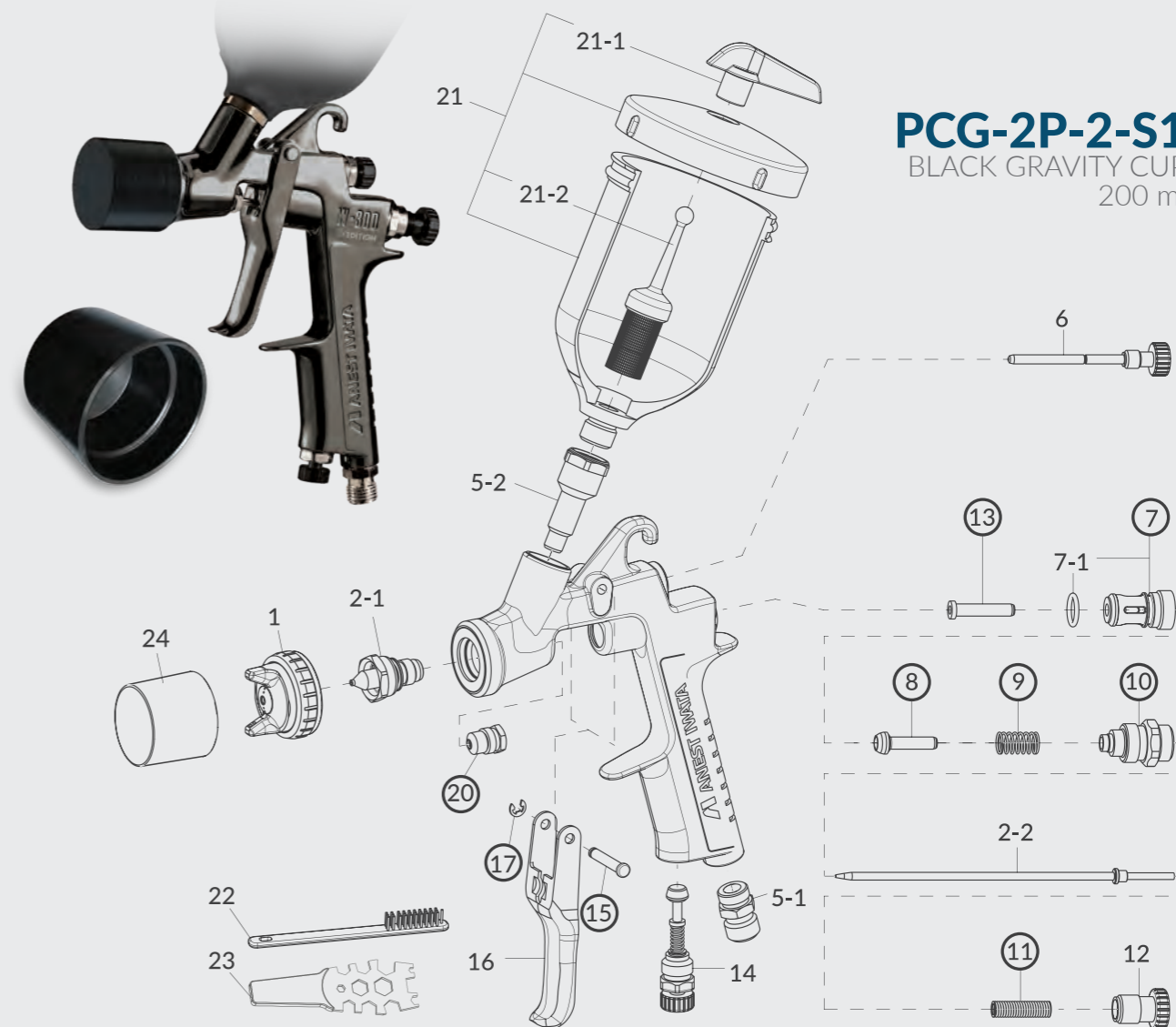
W-300 WB UV Spray Gun
PCG-2P-2-S1 CUP - 200 ml Black Gravity Cup
Cleaning Brushes - Universal Spanner

	Ø 1,2
W-300 WB UV - PRO KIT (200 ml CUP)	130068A0
AIR CAP SET (WB1)	930149A0
FLUID NOZZLE + FLUID NEEDLE SET	93591620



AIR CAP
PROTECTION

ANEST IWATA



PCG-2P-2-S1
BLACK GRAVITY CUP
200 ml

SPARE PARTS

REF.	CODE	DESCRIPTION	QTY.
5-1	03660300	AIR NIPPLE	
5-2	03575620	FLUID NIPPLE	
6	930151A0	PATTERN ADJ. SET	
7	03843530	AIR VALVE SEAT SET	
7-1	06638008	'O'RING	
8	03591530	AIR VALVE	
9	03719530	AIR VALVE SPRING	
10	93844532	FLUID ADJ. GUIDE SET	
11	03593530	FLUID NEEDLE SPRING	
12	930150A0	FLUID ADJ. KNOB	
13	93935430	AIR VALVE SHAFT	
14	930152A0	AIR ADJ. SET	
15	03667360	TRIGGER STUD	
16	930197A0	TRIGGER	
17	03912030	E STOPPER	(2 pcs./1 pk.)
20	93810620	NEEDLE PACKING SET	
22	W2COM6163	BRUSHES	(5 pcs./1 pk.)
23	930171A0	UNIVERSAL SPANNER	

REF.	CODE	DESCRIPTION
21	140025A0	PCG-2P-2-S1 BLACK GRAVITY CUP 200 ml with Fluid Joint in INOX
21-1	W2KIT07	NON DRIP SET (5 pcs./1pk.)
21-2	W2KIT06	FILTER 50 Mesh (297µ) (5 pcs./1pk.)
24	930147A0	AIR CAP PROTECTION

ACCESSORIES

CODE	DESCRIPTION
03608320	AIR CAP PACKING (WHITE)
03576530	AIR CAP "L" PACKING (BLACK)
W2KIT55UK	CLEANING KIT
W2COM6190	REPAIRING KIT 2 (includes: air valve seat set, air valve, air valve spring, fluid needle spring, air valve shaft, fluid adj. guide set, trigger stud, e stopper, needle packing cartridge).
94011240	FILTER 60 Mesh (250µ)



SPOT & SMART REPAIR

AZ4 HTE-S Impact Junior

STANDARD QUALITY



200 ml
Gravity
CUP

This version has been designed to achieve those small and medium repairs on a vehicle body, which can be perfectly repaired thanks to the high transfer-efficiency and the more control that this spray gun grants, together with the maximum comfort for the operator. Ideal for both water and solvent based paints, it is provided with an adjustable inlet valve and it is available both with a 200 ml or a 70 ml cup.

FEATURES

- Flat and even fan pattern: excellent colour reproduction and mottle free control
- Low pressure properties: atomizes at low pressures to keep repair small
- Double tapered seat nozzle system: nozzle thread has no contact with paint so it is easy to keep clean
- PTFE coated black gun body: appealing design and ease of cleaning and maintenance
- Ergonomic design redesigned for maximum balance and comfort
- Smooth trigger action: perfect spot repair control
- Most parts interchangeable with AZ3 HTE2: cost saving on spares



70 ml
Gravity
CUP

PERFORMANCE SPRAY TECHNOLOGY



TECHNICAL DATA	Ø mm	No.	bar	ml/min	NL/min	mm
AZ4 HTE-S	0.8	AZ4-1	1.0	50	105	120
	1.0			65		150
	1.2			80		160
	1.3			AZ4-2		2.5

• Air nipple: G1/4" • Fluid nipple: G1/4"

ORDER INFORMATION

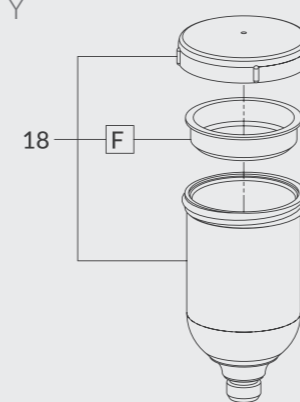
CARTON BOX
AZ4 HTE-S Spray Gun
PCG-2P-2 CUP - 200 ml

CARTON BOX
AZ4 HTE-S Spray Gun
PCG-1P-2 - 70 ml

	Ø 0,8	Ø 1,0	Ø 1,2	Ø 1,3
AZ4 HTE-S with 200 ml CUP	13000710	13000720	13000730	13000740
AZ4 HTE-S with 70 ml CUP	13001130	13001140	13001150	-
AIR CAP SET (AZ4-1)	93003740		93003750	
FLUID NOZZLE + FLUID NEEDLE SET	93004580	93004590	93004600	93004610

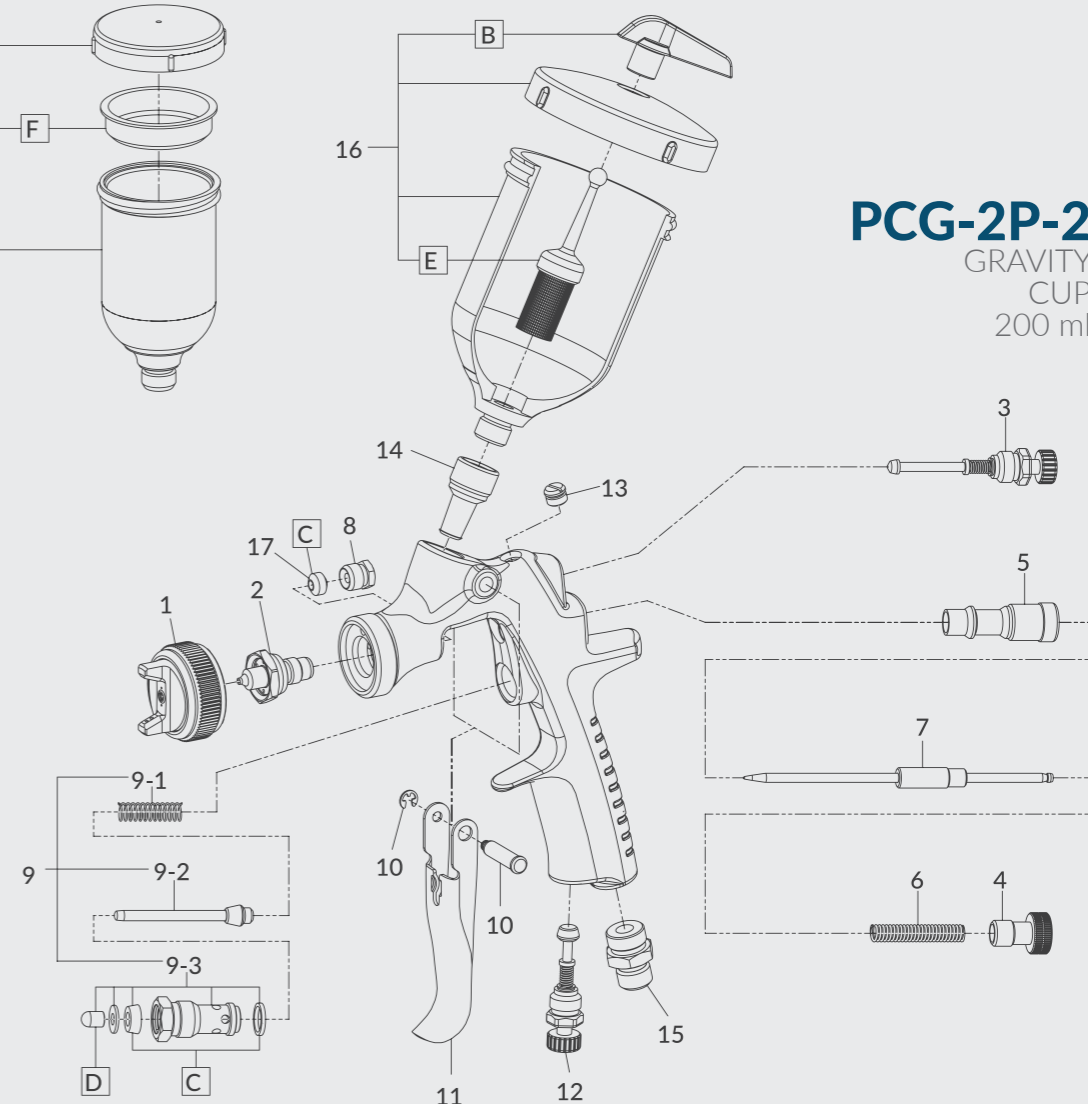
PCG-1P-2

GRAVITY
CUP
70 ml



PCG-2P-2

GRAVITY
CUP
200 ml



SPARE PARTS

REF.	CODE	DESCRIPTION	QTY.
1		AIR CAP SET	
10+11		FLUID NOZZLE + NEEDLE SET	
3	93842601	PATTERN ADJUSTMENT SET	
4	W2010141000	FLUID NEEDLE ADJ. KNOB	
5	W2010140900	FLUID NEEDLE GUIDE	
6	W2010140800	FLUID NEEDLE SPRING	
8	W2COM3011	NEEDLE PACKING NUT	
9	W2COM6080	AIR VALVE SET	
9-1	W2010141700	AIR VALVE SPRING	
9-2	W2010130600	AIR VALVE	
9-3	W2010130500	AIR VALVE SEAT	
10	W2COM4001	TRIGGER STUD	
11	93003810	TRIGGER	
12	93845531	AIR ADJUSTMENT SET	
13	W2COM6050	PLUG	
14	W3COM5038	THREADED BUSHING	
15	W2COM5000	AIR NIPPLE	
17	W2COM2006	NEEDLE PACKING	
C	93005550	PACKING SET	(3 pcs./1 pk.)
D	W2KIT37	AIR VALVE SHAFT TIP SET	(5 pcs./1 pk.)

REF.	CODE	DESCRIPTION
16	W0CUPAZ40IN	PCG-2P-2 GRAVITY CUP 200 ml
B	W2KIT07	NON DRIP SET (5pcs./1 pk.)
E	W2KIT06	FILTER SET 50 Mesh (297µ) (5pcs./1 pk.)
18	13001200	PCG-1P-2 GRAVITY CUP 70 ml
F	W2KIT52	NON DRIP SET (3 pcs./1 pk.)

ACCESSORIES

CODE	DESCRIPTION
W2KIT55UK	CLEANING KIT



SPOT REPAIR







Small refinishing up to a size of about 3.5 cm, partial repairs

LPH-80 (LVLP)

PREMIUM QUALITY

FEATURES

- Specific for small repair jobs and areas that are hard to reach
- Very fine atomization with low air consumption (60 l/min)
- Extremely low material consumption
- Perfect handling when blending
- Low background noise
- 205 g: one of the most lightweight Spot Repair spray guns on the market
- Simple operation of the control knobs, for right and left handers
- Conical seal nozzle, minimum wear parts
- Clearer design, easy maintenance
- Quality surface for easy cleaning

TECHNICAL DATA	 Ø mm	 No.	 bar	 ml/min	 l/min	 mm
LPH-80 - 044G	0.4	E4	1.0	10	60	55
LPH-80 - 064G	0.6			30		80
LPH-80 - 084G	0.8			45		100
LPH-80 - 104G	1.0			60		130
LPH-80 - 124G	1.2			75		140

• Air Nipple: G1/4" • Fluid Nipple: G1/8"

Further development of HVLP technology



LOW VOLUME
LOW PRESSURE



250 ml
Gravity
CUP



70 ml
Gravity
CUP



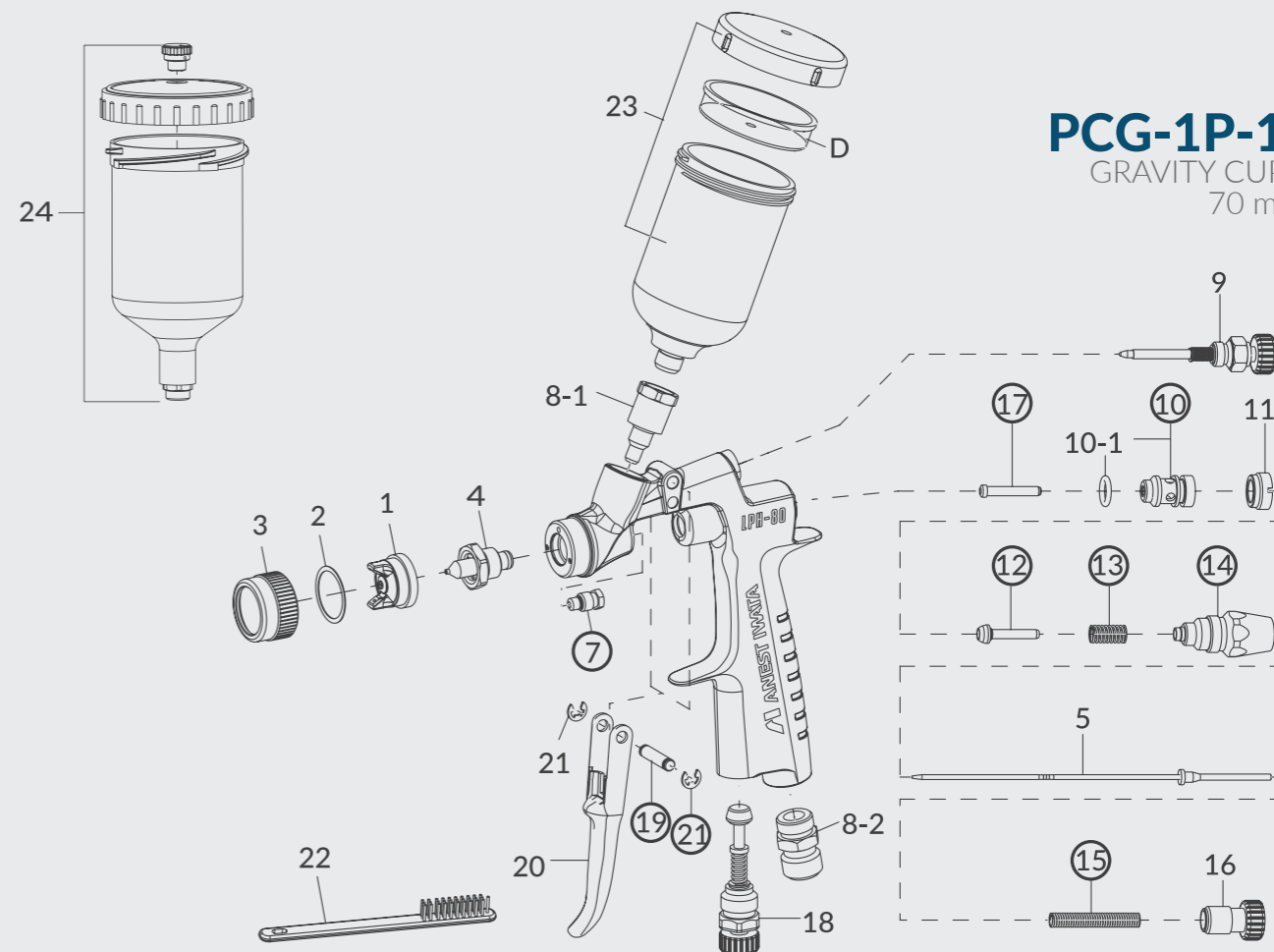
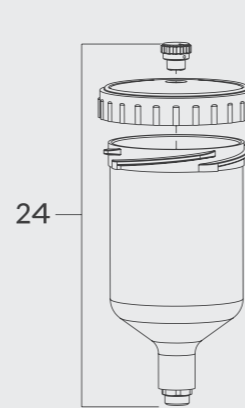
ORDER INFORMATION

CARTON BOX

with 250 or 70 ml CUP
LPH-80 Spray Gun
PCG-3P-1 CUP - 250 ml
PCG-1P-1 CUP 70 ml
Cleaning Brushes

	Ø 0,4	Ø 0,6	Ø 0,8	Ø 1,0	Ø 1,2
LPH-80 - (with 250 ml CUP)	13180707P	13180717P	13180747P	13180727P	13180737P
LPH-80 - (with 70 ml CUP)	131807072P	131807172P	131807472P	131807272P	131807372P
LPH-80 - (with 250 ml + 70 ml CUPS)	131807071	131807171	131807471	131807271	131807371
AIR CAP SET (E4)	93662600				
FLUID NOZZLE SET	93570600	93568600	93761530	93560600	93760530
FLUID NEEDLE SET	93891600	93890600		93886600	

PCG-3P-1 GRAVITY CUP 250 ml



PCG-1P-1 GRAVITY CUP 70 ml

SPARE PARTS

REF.	CODE	DESCRIPTION	QTY.
1		AIR CAP SET	
4		FLUID NOZZLE SET	
5		FLUID NEEDLE SET	
2	03558600	AIR CAP PACKING	
3	03559600	AIR CAP COVER	
7	93940890	NEEDLE PACKING SET	
8-1	93753530	FLUID NIPPLE	
8-2	03660300	AIR NIPPLE	
9	93748530	PATTERN ADJ. SET	
10	03912880	AIR VALVE SEAT SET	
10-1	06638005	'O'RING	
11	03011880	AIR VALVE SEAT SCREW	
12	03013880	AIR VALVE	
13	03012880	AIR VALVE SPRING	
14	03936880	FLUID ADJ. GUIDE SET	
15	03015880	FLUID NEEDLE SPRING	
16	93754530	FLUID ADJ. KNOB	
17	03006880	AIR VALVE SHAFT	
18	93845531	AIR ADJ. SET	
19	03167890	TRIGGER STUD	
20	03162890	TRIGGER	
21	03912030	E STOPPER	(2 pcs./1 pk.)
22	W2COM6163	BRUSHES	(5 pcs./1 pk.)

REF.	CODE	DESCRIPTION
23	13678980	PCG-1P-1 GRAVITY CUP 70 ml + NON DRIP SET
D	W2KIT25	NON DRIP SET (3 pcs./1 pk.)
24	VPE250	PCG-3P-1 GRAVITY CUP 250 ml

ACCESSORIES

CODE	DESCRIPTION
W2KIT55UK	CLEANING KIT
W2COM6191	REPAIRING KIT 3 (includes: air valve seat set, air valve, air valve spring, fluid needle spring, air valve shaft, fluid adj. guide set, trigger stud, e stopper, needle packing cartridge).
93280881	SPANNER for LPH-80









CUSTOM PAINTING

RG-3L - ROUND PATTERN

HIGH QUALITY

FEATURES

- Specific for decorative paintings with regular nozzles
- Used for modeling, contours painting and graphics
- Fine atomization
- For right and left handers
- With side cup for best control when working
- Individual angle adjustment of the cup
- Very low air requirement, 30-50 NI/min depending on the nozzle size
- RG-3L-S3 flat pattern (0.6 nozzle size)
- Conical seal nozzle, minimum wear parts
- Clearer design, easy maintenance

TECHNICAL DATA	 Ø mm	 No.	 bar	 m ³ /min	 NI/min	 mm
RG-3L 1	0.4	1		15		25
RG-3L 2	0.6	2	2.5	35	30	35
RG-3L 3	1.0	3		80		35

• Air nipple: G1/4" • Fluid nipple: G1/4"



200 ml
Gravity
CUP

ORDER INFORMATION

CARTON BOX

with 200 or 130 ml CUP

RG-3L Spray Gun

PC-52 AG CUP - 200 ml / PC-61 CUP - 130 ml

Cleaning Brushes

	Ø 0,4	Ø 0,6	Ø 1,0
RG-3L SPRAY GUN	13058600	13058610	13058620
RG-3L SPRAY GUN with 200 ml CUP	13058606	13058616	13058626
RG-3L SPRAY GUN with 130 ml CUP	13058605	13058615	13058625
AIR CAP SET	93022890	93025880	93026880
FLUID NOZZLE SET	93042880	93041880	93040890
FLUID NEEDLE SET	93910880	93937880	93938880

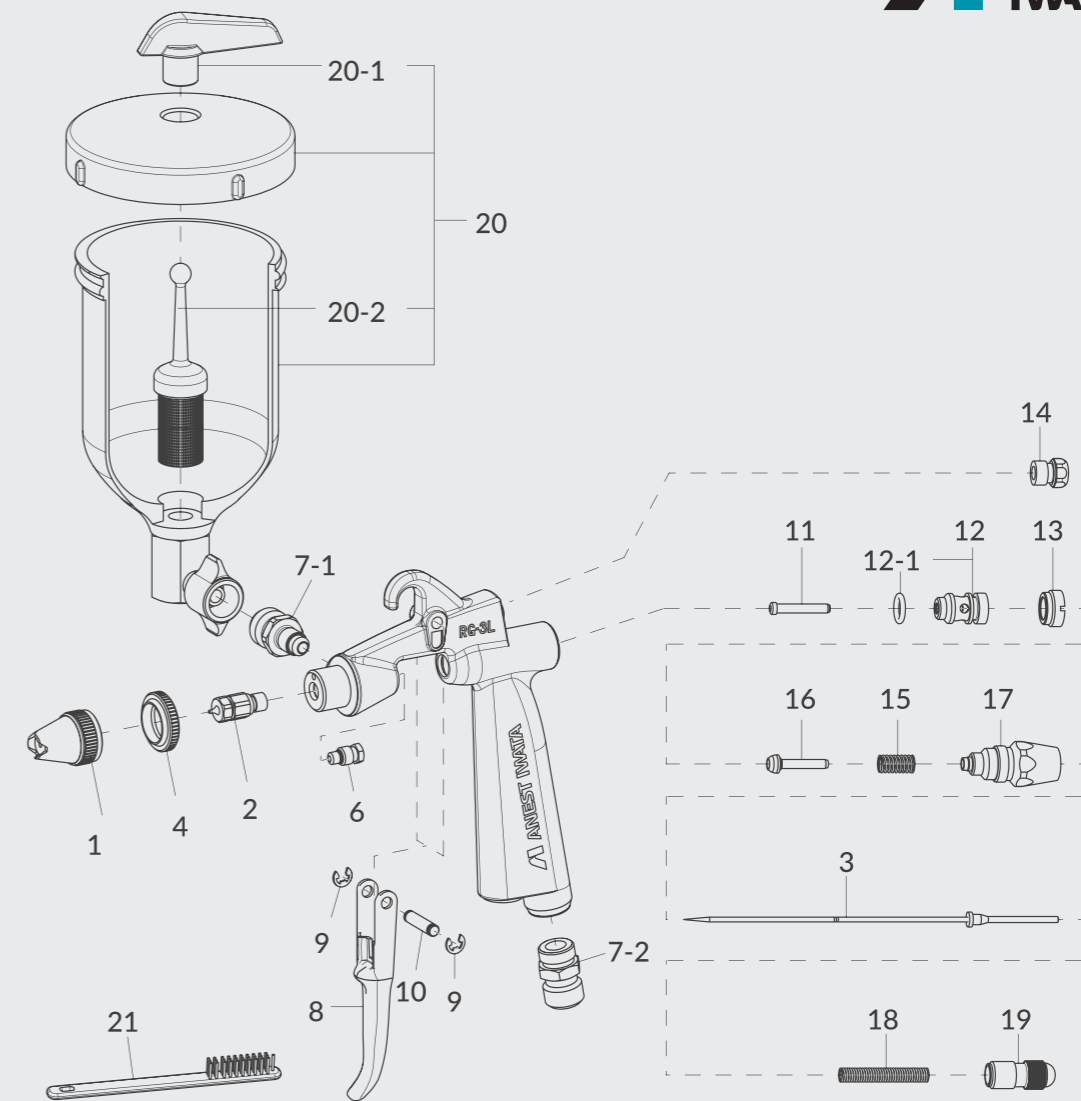
	Ø 0,6	-	-
RG-3L SPRAY GUN	13058650	-	-
AIR CAP SET	93023881	-	-
FLUID NOZZLE SET	93041880	-	-
FLUID NEEDLE SET	93937880	-	-



130 ml
Gravity
CUP

PC-52 AG

SIDE
GRAVITY
CUP
200 ml



SPARE PARTS

REF.	CODE	DESCRIPTION	QTY.
1		AIR CAP SET RG-3L	
1		AIR CAP SET RG-3L-S3	
2		FLUID NOZZLE SET	
3		FLUID NEEDLE SET	
4	03028890	JAM NUT	
6	93940890	NEEDLE PACKING SET	
7-1	93005891	FLUID NIPPLE	
8	03162890	TRIGGER	
9	03912030	E STOPPER	
10	03167890	TRIGGER STUD	
11	03006880	AIR VALVE SHAFT	
12	03912880	AIR VALVE SEAT SET	
12-1	06638005	'O'RING	
13	03011880	AIR VALVE SEAT SCREW	
14	93027880	PLUG	
15	03012880	AIR VALVE SPRING	
16	03013880	AIR VALVE	
17	03936880	FLUID ADJ. GUIDE SET	
18	03015880	FLUID NEEDLE SPRING	
19	03017880	FLUID ADJ. KNOB	
21	W2COM6163	BRUSHES	(5 pcs./1 pk.)

REF.	CODE	DESCRIPTION
20	14018186F	PC-52 AG SIDE GRAVITY CUP 200 ml
	14018190	PC 61 SIDE GRAVITY CUP 130 ml

ACCESSORIES

CODE	DESCRIPTION
W2KIT55UK	CLEANING KIT
93280881	SPANNER FOR RG-3L



AIRBRUSHES

KUSTOM SERIES

PREMIUM QUALITY

FEATURES

- High-end airbrush spray gun for professionals in custom painting
- Extreme control of ultra fine-line spray
- Silky-smooth atomization
- Ultimate paint-flow control with hand-tuned, hand-adjusted performance
- Teflon packing, large cups, pre-set handles, tall triggers
- MAC-System air regulation on material output (Micron CM, Hi-Line CH)



	ø 0,23	ø 0,30	ø 0,35
Kustom Micron CM	K 9000	-	-
Kustom Revolution TR	-	K 9400	-
Kustom HI-Line CH	-	K 9100	-
Kustom Eclipse CS	-	-	K 9300

ORDER INFORMATION

ECLIPSE SERIES

HIGH QUALITY

FEATURES

- Double-Action independent air and material control
- Paint flow control
- Self-centering nozzle
- Quick change of nozzles without tools
- Easy to clean with plug nozzle
- Also available with a suction cup system (HP-BCS)



	ø 0,35	ø 0,5
ECLIPSE HP-CS	ECL 4500	-
ECLIPSE HP-SBS	ECL 3500	-
ECLIPSE HP-BS	ECL 2500	-
ECLIPSE HP-BCS	-	ECL 2000

ORDER INFORMATION

NEO SERIES

STANDARD QUALITY

FEATURES

- Perfect to approach the Airbrush word
- Double-Action = independent air and material control
- Incl. removable cup 7.0 ml and 1.8 ml or without cup for small quantities 1.0 ml
- Also available with a suction cup system (HP-BCN)

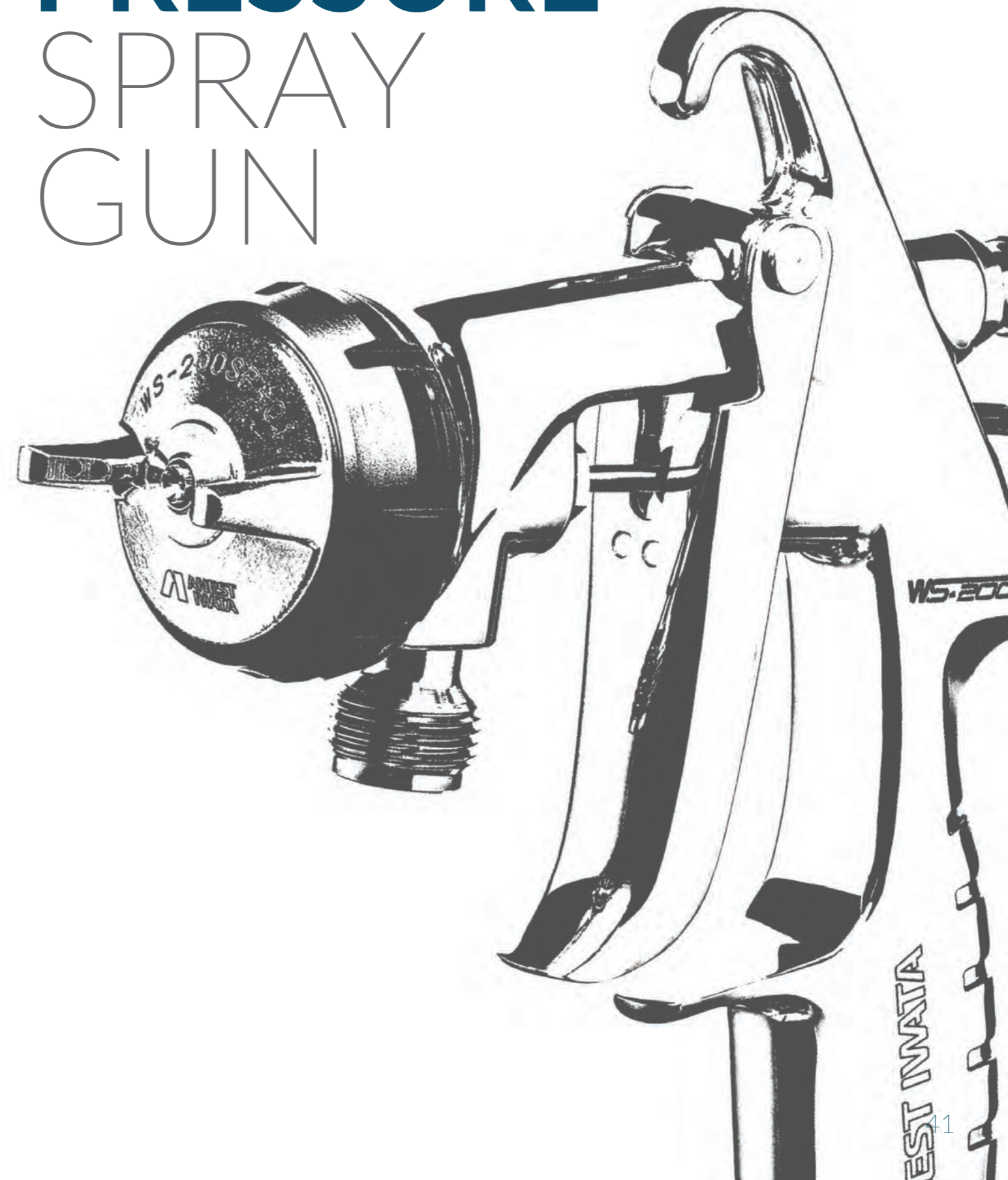


	ø 0,35	ø 0,5
Neo HP-CN	N 4500	-
NEO HP-BCN	-	N 2000

ORDER INFORMATION



PRESSURE SPRAY GUN



COMMERCIAL VEHICLE

PRESSURE SPRAY GUN SERIES

With WS-200 series, ANEST IWATA is launching a completely new generation of pressure spray guns. This series redefined the expectations of the most demanding users in the most diverse application fields. Every single aspect of WS-200 pressure spray guns has been redesigned. The result is now the market launch of the best pressure spray guns ever made. Available in two different versions: • WS-200SP: with newest generation of Pre Atomization Technology (Split nozzle) • WS-200FT: with traditional Flat Tip Nozzle (Round nozzle) delivering high quality results.

WS-200 SP PREMIUM QUALITY

TECHNICAL DATA	Ø mm	No.	bar	m ³ /min	N ₂ /min	mm
WS-200 SP Pressure Spray Gun with Split Nozzle - Air Nipple: G1/4" • Fluid Nipple: fixed G3/8"						
WS-200SP-0801	0.8	WS-200SP-01	2.5	435		210
WS-200SP-1001	1.0					230
WS-200SP-1201	1.2					240
WS-200SP-1401	1.4					240
WS-200SP-1601	1.6					255
WS-200SP-1801	1.8					265



WS-200

SPLIT NOZZLE™

ORDER INFORMATION

PRE-ATOMIZATION TECHNOLOGY

	Ø 0,8	Ø 1,0	Ø 1,2	Ø 1,4	Ø 1,6	Ø 1,8
WS-200 SP SPRAY GUN	13000120	13000130	13000140	13000680	13000690	13000700
AIR CAP SET (WS-200 SP-01)	93001300					
FLUID NOZZLE + FLUID NEEDLE SET	93007240	93007490	93007550	93007620	93007650	93007660



WS-200 FT PREMIUM QUALITY

TECHNICAL DATA	Ø mm	No.	bar	m ³ /min	N ₂ /min	mm
WS-200 FT Pressure Spray Gun with Flat Tip Nozzle - Air Nipple: G1/4" • Fluid Nipple (fixed): G3/8"						
WS-200FT-0801	0.8	WS-200FT-01	2.5	380		240
WS-200FT-1001	1.0					210
WS-200FT-1201	1.2					210
WS-200FT-1401	1.4					240
WS-200FT-1601	1.6					240
WS-200FT-1801	1.8					240
WS-200FT-0802	0.8	WS-200FT-02	3.0	475		215
WS-200FT-1002	1.0					250
WS-200FT-1202	1.2					255
WS-200FT-1402	1.4					255
WS-200FT-1601	1.6					270
WS-200FT-1802	1.8					285



CARTON BOX

WS-200 SP or WS-200 FT Spray Gun
Universal Spanner
Cleaning Brushes



ORDER INFORMATION

WS-200

	Ø 0,8	Ø 1,0	Ø 1,2	Ø 1,4	Ø 1,6	Ø 1,8
WS-200FT-01 SPRAY GUN	13000150	13000160	13000170	13000600	13000610	13000620
WS-200FT-02 SPRAY GUN	13000180	13000190	13000200	13000630	13000640	13000650
AIR CAP SET (WS-20FT-01)	93002070					
AIR CAP SET (WS-20FT-02)	93002190					
FLUID NOZZLE + FLUID NEEDLE SET	93002180	93002150	93002130	93003420	93003480	93003500

FLAT TIP NOZZLE



APPLICATION



WS-200 SP - WS-200 ST

FEATURES

Perfect surfaces thanks to the Split Nozzle™ technology

Specific for blending, for example for side walls, bumper and smaller areas

Barely visible transitions thanks to the soft and fine spray pattern

Very fine atomization with low air consumption (190 l/min)

Extremely low material consumption

Low background noise

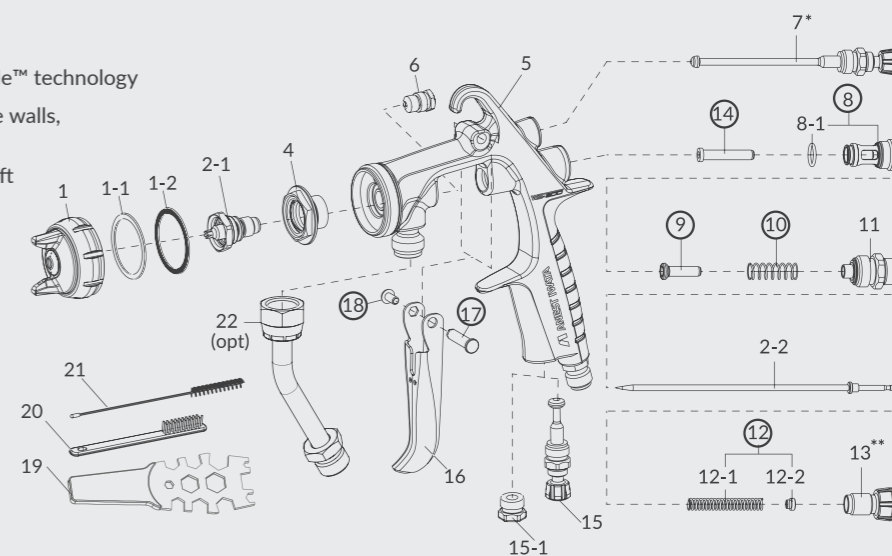
320 g: one of the most lightweight Smart Repair spray guns on the market

Simple operation of the control knobs, for right and left handers

Conical seal nozzle, minimum wear parts

Clearer design, easy maintenance

Quality surface for easy cleaning



1-1 Air Cap Packing White: Seals air cap to tightening nut	1-2 Air Cap Packing Transparent: Seals air cap to gun body (transparent seal must be visible from the inside of the air cap)	TIPP: change always both air cap packings as a couple	13.1 Lock Fluid Adjustment*	7.1 Quick Fan Pattern Control*	7.2 Push Pull Pattern Adjustment Set*	7.3 Lock Pattern Adjustment*	19.1 SPANNER for Lock Pattern Adjustment and Lock Fluid Adjustment
---	---	---	---------------------------------------	--	---	--	--

SPARE PARTS

REF.	CODE	DESCRIPTION
1	see left	AIR CAP SET WS-200SP-01
1	see left	AIR CAP SET WS-200FT-01 and WS-200FT-02
1-1	93505330	AIR CAP PACKING (WHITE)
1-2	93001330	AIR CAP PACKING (TRANSPARENT)
2-1 + 2-2	see left	FLUID NOZZLE + NEEDLE SET WS-200SP
2-1 + 2-2	see left	FLUID NOZZLE + NEEDLE SET WS-200FT
2-2	93001380	SPECIAL NEEDLE with TIP in DELRIN Ø 0.8; 1.0; 1.2
2-2	93005700	SPECIAL NEEDLE with TIP in DELRIN Ø 1.4; 1.6; 1.8
4	93007750	BAFFLE RING SET (BAFFLE RING + PACKING)
6	93810620	NEEDLE PACKING SET
7	93001561	PATTERN ADJUSTMENT
7-1	93003300	QUICK PATTERN ADJUSTMENT (opt.)*
7-2	93003270	PUSH PATTERN ADJUSTMENT (opt.)*
7-3	93003240	LOCK PATTERN ADJUSTMENT (opt.)*
8	93001640	AIR VALVE SEAT SET
8-1	93001680	O RING
9	93001690	AIR VALVE
10	93001700	AIR VALVE SPRING
11	93001710	FLUID ADJUSTMENT GUIDE SET
12	93002820	NEEDLE SPRING SET
12-1	93593530	NEEDLE SPRING
12-2	93001760	NEEDLE SPRING PACKING
13	93001780	FLUID ADJUSTMENT KNOB
13-1	93003200	LOCK FLUID ADJUSTMENT (opt.)*
14	93001790	AIR VALVE SHAFT
15	93001801	AIR ADJUSTMENT SET
15-1	93625370	PLUG
16	93001820	TRIGGER SET
17	93001870	TRIGGER STUD

REF.	CODE	DESCRIPTION
18	93001960	HEX. SOCKET BUTTON BOLT
19	930171A0	UNIVERSAL SPANNER
19-1	93003340	SPANNER for LOCK PATTERN ADJUSTMENT and for LOCK FLUID ADJUSTMENT
20	W2COM6163	BRUSHES (5 pcs.)
○	93005690	REPAIRING KIT WS-200 includes: Needle packing set ref. 6; Air valve seat set ref.8; Air valve ref.9; Air valve spring ref.10; Fluid adj. guide set ref.11; Needle spring ref. 12; Air valve shaft ref.14; Trigger stud ref.17; Hex. socket button bolt ref.18
21	W2COM6162	TWISTED BRUSHES Ø 10 mm (5 pcs.)
22	W2COM5052	FLUID TUBE 3/8" Stainless Steel (opt.)
23	93001540	AIR NIPPLE G1/4"

ACCESSORIES

REF.	CODE	DESCRIPTION
	PJQ-03P	QUICK JOINT NIPPLE 3/8" IG
	PJQ-03S	QUICK JOINT 3/8" AG
	14375800	"L" ROTATING AIR HOSE JOINT
	001004050	TWIN HOSE (Air & Fluid) 1/4"-1/4" mt. 5
	001004075	TWIN HOSE (Air & Fluid) 1/4"-1/4" mt. 7,5
	001004100	TWIN HOSE (Air & Fluid) 1/4"-1/4" mt. 10



COMMERCIAL VEHICLE

W-200 INTEGRA PRESSURE SERIES

The W-200 INTEGRA is the sophisticated successor of Anest Iwata's previous W-200 lineup. While they look almost the same almost all of the internals have been redesigned and improved. This makes the new W-200 INTEGRA your perfect companion for challenging jobs in the Industrial paint application. The W-200 INTEGRA SP utilizing the unique Anest Iwata SPLIT NOZZLE Technology can easily be recognized by its BLUE Air Cap Ring. While the models W-200 INTEGRA FT with traditional Flat tips (FT versions) come with SILVER Air Cap Ring.

W-200 INTEGRA SP HIGH QUALITY

SPLIT NOZZLE™ PRE-ATOMIZATION TECHNOLOGY

TECHNICAL DATA	Ø mm	No.	bar	m ³ /min	N ₂ /min	mm
W-200 INTEGRA SP - Pressure Spray Gun - Air Nipple: G1/4" • Fluid Nipple: G3/8"						
W-200SP-08WB1P	0.8	WB1	2.0 ~ 2.5	200	425 ~ 531	360
W-200SP-10WB1P	1.0			250		380
W-200SP-12WB1P	1.2			300		390
W-200SP-14WB1P	1.4			350		310
W-200SP-08WBSP	0.8	WBS	2.0 ~ 2.5	200	463 ~ 578	320
W-200SP-10WBSP	1.0			250		330
W-200SP-12WBSP	1.2			300		340
W-200SP-14WBSP	1.4			350		

SPRAY DISTANCE: 150 ~ 300 mm



NEW

ORDER INFORMATION

W-200 INTEGRA

	Ø 0.8	Ø 1.0	Ø 1.2	Ø 1.4
W-200 INTEGRA SPRAY GUN - WB1	130451A0	130452A0	130453A0	130454A0
W-200 INTEGRA SPRAY GUN - WBS	130455A0	130456A0	130457A0	130458A0
AIR CAP SET - WB1	93017310			
AIR CAP SET - WBS	93017430			
FLUID NOZZLE + FLUID NEEDLE SET	93012030	93012020	93012010	93017330

W-200 INTEGRA FT HIGH QUALITY

FLAT TIP NOZZLE

TECHNICAL DATA	Ø mm	No.	bar	m ³ /min	N ₂ /min	mm
W-200 INTEGRA FT - Pressure Spray Gun - Air Nipple: G1/4" • Fluid Nipple: G3/8"						
W-200FT-08LV2P	0.8	LV2	2.0 ~ 2.5	70	240 ~ 300	140
W-200FT-10LV2P	1.0			110		170
W-200FT-12LV2P	1.2			150		220
W-200FT-15LV2P	1.5			250		270
W-200FT-16LV2P	1.6	300	280			
W-200FT-18LV2P	1.8	400	290			
W-200FT-08G2P	0.8	G2P	3.0 ~ 3.5	500	500 ~ 583	400
W-200FT-10G2P	1.0			500		
W-200FT-12G2P	1.2					

SPRAY DISTANCE: 150 ~ 300 mm



NEW

ORDER INFORMATION

W-200 INTEGRA

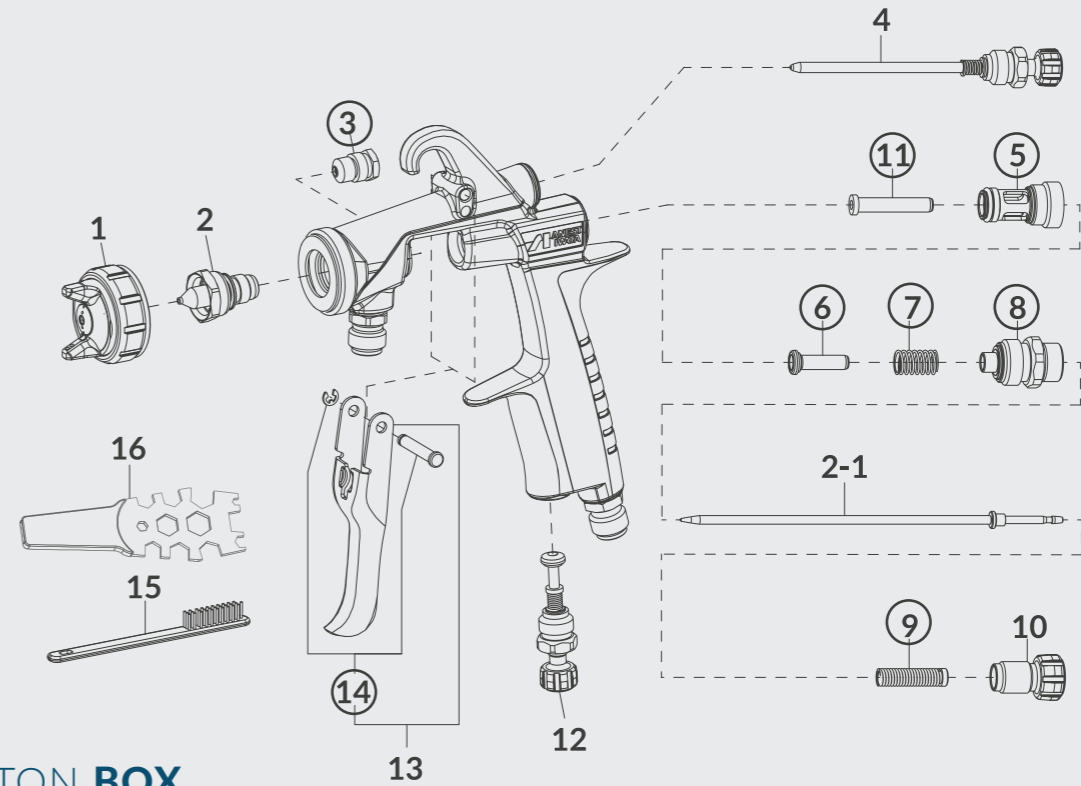
	Ø 0.8	Ø 1.0	Ø 1.2	Ø 1.5	Ø 1.6	Ø 1.8
W-200 INTEGRA SPRAY GUN - LV2	130459A0	130460A0	130461A0	130463A0	130506A0	130507A0
W-200 INTEGRA SPRAY GUN - G2P	130464A0	130465A0	130466A0	----	----	----
AIR CAP SET - LV2	93017360					
AIR CAP SET - G2P	93011670					
FLUID NOZZLE + FLUID NEEDLE SET	93017270	93017280	93011570	93011680	93018270	93011730



APPLICATION



W-200 INTEGRA - PRESSURE



CARTON BOX

W-200 INTEGRA Pressure Spray Gun
Cleaning Brushes
Universal Spanner



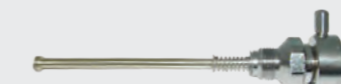
FLUID TUBE



PUSH-PULL PATTERN ADJ. SET



QUICK FAN PATTERN CONTROL



SPARE PARTS

REF.	CODE	DESCRIPTION
1	see left	AIR CAP SET (WB1 - WBS1)
1	see left	AIR CAP SET (LV2)
1	see left	AIR CAP SET (G2P)
1-1	93017700	CAP COVER PACKING SET
1-2	93011560	AIR CAP RING Silver
1-2	93016870	AIR CAP RING Blue
2 + 2-1	see left	FLUID NOZZLE + NEEDLE SET (W-200SP)
2 + 2-1	see left	FLUID NOZZLE + NEEDLE SET (W-200FT)
3	93810620	NEEDLE PACKING SET
4	93011630	PATTERN ADJUSTMENT
5	93001640	AIR VALVE SEAT SET
6	93001690	AIR VALVE
7	93001700	AIR VALVE SPRING
8	93012630	FLUID ADJUSTMENT GUIDE SET
9	93002820	NEEDLE SPRING SET
10	93012650	FLUID ADJUSTMENT KNOB
11	93001790	AIR VALVE SHAFT
12	93012660	AIR ADJUSTMENT SET
13	93014500	TRIGGER SET
14	93013810	TRIGGER STUD

ACCESSORIES

CODE	DESCRIPTION	REF.
W2COM6163	BRUSHES (5 PCS/1PK)	15
930171A0	UNIVERSAL SPANNER	16
930356A0	REPAIRING KIT includes: needle packing set (3), air valve seat set (5), air valve (6), air valve spring (7), fluid adj. guide set (8), needle spring set (9), air valve shaft (11), trigger stud set (14).	
14375800	"L" ROTATING AIR HOSE JOINT	
W-200-X1	QUICK FAN PATTERN CONTROL	
93895611	PUSH-PULL PATTERN ADJ. SET	
W2COM5052	FLUID TUBE 3/8" Stainless Steel	
001004050	TWIN HOSE (Air and Fluid) 1/4"-1/4" - 5 m	
001004075	TWIN HOSE (Air and Fluid) 1/4"-1/4" - 7.5 m	
001004100	TWIN HOSE (Air and Fluid) 1/4"-1/4" - 10 m	



COMMERCIAL VEHICLE

W-200 INTEGRA SUCTION SERIES

W-200 INTEGRA SP HIGH QUALITY

SPLIT NOZZLE™ PRE-ATOMIZATION TECHNOLOGY

TECHNICAL DATA	Ø mm	No.	bar	m ³ /min	N ³ /min	mm
W-200 INTEGRA SP - Suction Spray Gun - Air Nipple: G1/4" • Fluid Nipple: G3/8"						
W-200SP-16WB2S	1.6	WB2	2.0 ~ 2.5	170	480 ~ 538	315
W-200SP-18WB2S	1.8			200		330

SPRAY DISTANCE: 150 ~ 300 mm

W-200 INTEGRA

ORDER INFORMATION

	Ø 1.6	Ø 1.8
W-200 INTEGRA - Spray Gun Only	130471A0	130472A0
W-200 INTEGRA - With PCL-10B3 Cup	130478A0	130479A0
W-200 INTEGRA - With PC-12 Cup	130485A0	130486A0
AIR CAP SET - WB2	93017460	
FLUID NOZZLE + FLUID NEEDLE SET	93017480	93017490

W-200 INTEGRA FT HIGH QUALITY

FLAT TIP NOZZLE

TECHNICAL DATA	Ø mm	No.	bar	m ³ /min	N ³ /min	mm
W-200 INTEGRA FT - Suction Spray Gun - Air Nipple: G1/4" • Fluid Nipple: G3/8"						
W-200FT-14S	1.4	LV2		240	240 ~ 300	260
W-200FT-15S	1.5	K2		240	220 ~ 275	290
W-200FT-18S	1.8		2.0 ~ 2.5	290		340
W-200FT-20S	2.0	R2		350	240 ~ 300	290
W-200FT-25S	2.5	W1		440		280

SPRAY DISTANCE: 150 ~ 300 mm

W-200 INTEGRA

ORDER INFORMATION

	Ø 1.4	Ø 1.5	Ø 1.8	Ø 2.0	Ø 2.5
W-200 INTEGRA - Spray Gun Only	130473A0	130474A0	130475A0	130476A0	130477A0
W-200 INTEGRA - With PCL-10B3 Cup	130480A0	130481A0	130482A0	130483A0	130484A0
W-200 INTEGRA - With PC-12 Cup	130487A0	130488A0	130489A0	130490A0	130491A0
AIR CAP SET	LV2 93017360	K2 93011710	R2 93011790	W1 93011820	
FLUID NOZZLE + FLUID NEEDLE SET	93017370	93011680	93011730	93011740	93011810



APPLICATION



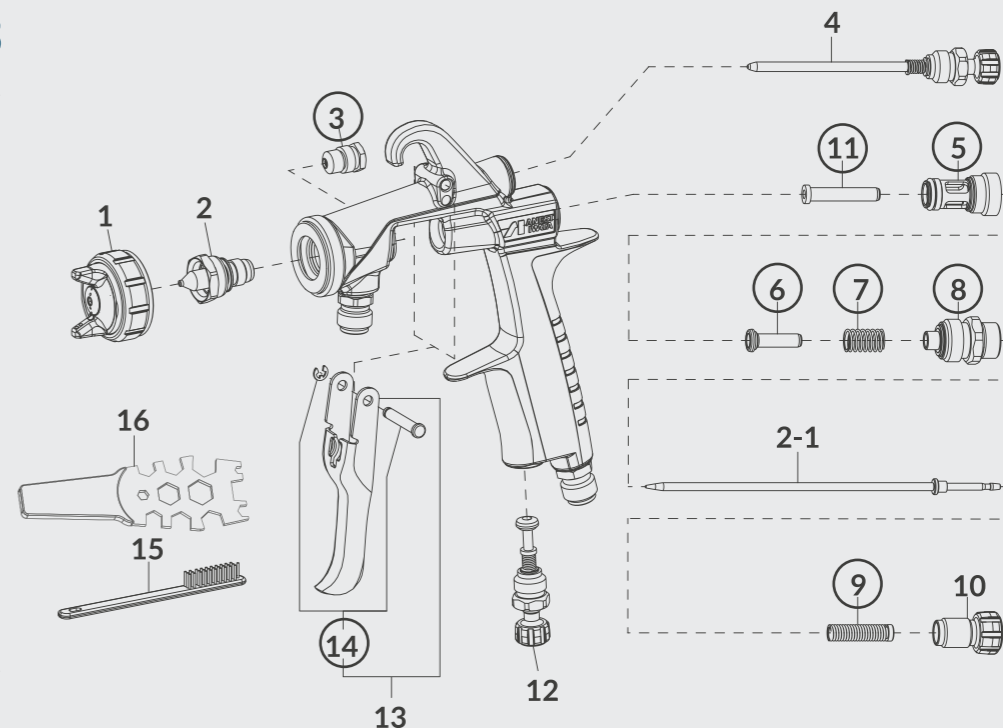
PCL-10B3

Suction Container 1lt.



PC-12

Suction Container 1lt.



CARTON BOX

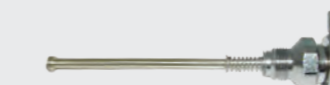
W-200 INTEGRA Suction Spray Gun
Cleaning Brushes
Universal Spanner
Suction Cup



PUSH-PULL PATTERN ADJ. SET



QUICK FAN PATTERN CONTROL



SPARE PARTS

REF.	CODE	DESCRIPTION
1	see left	AIR CAP SET (WB2)
1	see left	AIR CAP SET (LV2 - K2 - R2 - W1)
1-1	93017700	CAP COVER PACKING SET
1-2	93011560	AIR CAP RING Silver
1-2	93016870	AIR CAP RING Blue
2 + 2-1	see left	FLUID NOZZLE + NEEDLE SET (W-200SP)
2 + 2-1	see left	FLUID NOZZLE + NEEDLE SET (W-200FT)
3	93810620	NEEDLE PACKING SET
4	93011630	PATTERN ADJUSTMENT
5	93001640	AIR VALVE SEAT SET
6	93001690	AIR VALVE
7	93001700	AIR VALVE SPRING
8	93012630	FLUID ADJUSTMENT GUIDE SET
9	93002820	NEEDLE SPRING SET
10	93012650	FLUID ADJUSTMENT KNOB
11	93001790	AIR VALVE SHAFT
12	93012660	AIR ADJUSTMENT SET
13	93014500	TRIGGER SET
14	93013810	TRIGGER STUD

ACCESSORIES

CODE	DESCRIPTION	REF.
W2COM6163	BRUSHES (5 PCS/1PK)	15
930171A0	UNIVERSAL SPANNER	16
14018621	PCL-10 B3 LEVER LOCK SUCTION CUP 1 lt.	
14018200	PC 12 SUCTION CUP 1 lt.	
930171A0	REPAIRING KIT includes: needle packing set (3), air valve seat set (5), air valve (6), air valve spring (7), fluid adj. guide set (8), needle spring set (9), air valve shaft (11), trigger stud set (14).	
14375800	"L" ROTATING AIR HOSE JOINT	
W-200-X1	QUICK FAN PATTERN CONTROL	
93895611	PUSH-PULL PATTERN ADJ. SET	
W2COM5052	FLUID TUBE 3/8" Stainless Steel	
001004050	TWIN HOSE (Air and Fluid) 1/4"-1/4" - 5 m	
001004075	TWIN HOSE (Air and Fluid) 1/4"-1/4" - 7.5 m	
001004100	TWIN HOSE (Air and Fluid) 1/4"-1/4" - 10 m	

UNIVERSAL

W-400 Classic Plus

HIGH QUALITY

FEATURES

- Universal spray gun for industrial coating
- VOC-compliant professional spray gun (more than 65% transfer efficiency)
- Large and uniformly shaped wet core, even with high viscosity materials
- 280 NI/min air consumption; also suitable for small compressors capacity
- Low background noise
- 380 g; one of the most lightweight spray guns on the market
- Conical seal nozzle, minimum wear parts
- Quality surface for easy cleaning
- Clearer design, easy maintenance



Classic plus



TECHNICAL DATA	Ø mm	No.	bar	m ³ /min	N ² /min	mm
W-400-082G	0.8	LV2	2.0	60	280	80
W-400-102G	1.0			95		150
W-400-122G	1.2			100		175
W-400-132G	1.3			160		225
W-400-142G	1.4			210		270
W-400-162G	1.6	LV1	3.0	240	290	260
W-400-182G	1.8			320		320
W-400-202G	2.0	R2	3.0	460	360	320
W-400-251G	2.5	W1	3.0	360		340

• Air nipple: G1/4" • Fluid nipple: M16 x 1.5 mm



ORDER INFORMATION

	Ø 0,8	Ø 1,0	Ø 1,2
W-400 - PRO KIT	13241401P	13241402P	13241403P
AIR CAP SET (LV2)		93830610B	
FLUID NOZZLE + FLUID NEEDLE SET	93889610	93890610	93823610

	Ø 1,3	Ø 1,4	Ø 1,6
W-400 - PRO KIT	13241404P	13241405P	13241406P
AIR CAP SET (LV2)		93830610B	
FLUID NOZZLE + FLUID NEEDLE SET	93881610	-	93832610
FLUID NOZZLE + FLUID NEEDLE SET	-	93831610	-

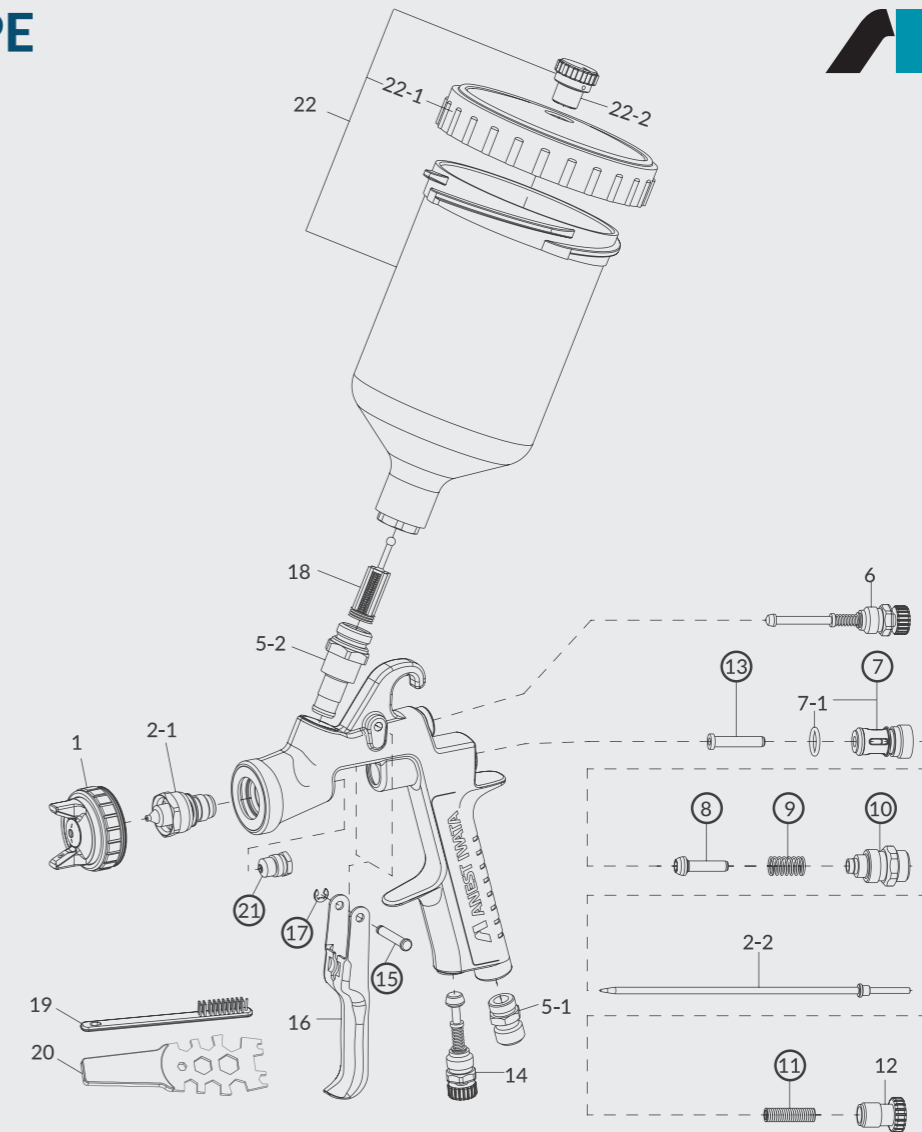
	Ø 1,8	Ø 2,0	Ø 2,5
W-400 - PRO KIT	13241407P	13241408P	13241409P
AIR CAP SET (LV2)	LV1 93859611	R2 93814610B	W11 93813610B
FLUID NOZZLE + FLUID NEEDLE SET	93821610	93820610	93819610

CARTON BOX

- W-400 Classic Plus Spray Gun
- PCG 6 PE CUP - 600 ml
- Cleaning Brushes
- Universal Spanner

PGC-6-PE

GRAVITY CUP
600 ml



SPARE PARTS

REF.	CODE	DESCRIPTION	QTY.
1		AIR CAP SET	
2-1+ 2-2		FLUID NOZZLE + NEEDLE SET	Ø 0.8/1.0/1.2/1.3/1.6
2-1+ 2-2		FLUID NOZZLE + NEEDLE SET	Ø 1.4
2-1+ 2-2		FLUID NOZZLE + NEEDLE SET	Ø 1.8/2.0/2.5
5-1	03660300	AIR NIPPLE	
5-2	93650531	FLUID NIPPLE	
6	93842601	PATTERN ADJ. SET	
7	03843530	AIR VALVE SEAT SET	
7-1	06638008	'O'RING	
8	03591530	AIR VALVE	
9	03719530	AIR VALVE SPRING	
10	93844532	FLUID ADJ. GUIDE SET	
11	03593530	FLUID NEEDLE SPRING	
12	93594532	FLUID ADJ. KNOB	
13	93935430	AIR VALVE SHAFT	
14	93845531	AIR ADJ. SET	
15	03667360	TRIGGER STUD	
16	03517600	TRIGGER	
17	03912030	E STOPPER	(2 pcs./1 pk.)
18	03515500	FILTER 60 Mesh (250µ) Red	
21	93810620	NEEDLE PACKING SET	
19	W2COM6163	BRUSHES	(5 pcs./1 pk.)
20	930171A0	UNIVERSAL SPANNER	

REF.	CODE	DESCRIPTION
22	14011001	PCG-6-PE GRAVITY CUP 600 ml
22-1	04002300	LID
22-2	04003320	NON DRIP

ACCESSORIES

CODE	DESCRIPTION
03708240	AIR CAP PACKING (WHITE)
03512600	AIR CAP "L" PACKING (BLACK)
W2KIT55UK	CLEANING KIT
W2COM6190	REPAIRING KIT 2 (includes: air valve seat set, air valve, air valve spring, fluid needle spring, fluid adj. guide set, air valve shaft, trigger stud, e stopper, needle packing cartridge).



AZ3 HTE 2

STANDARD QUALITY

FEATURES

Robust work spray gun for with high-viscosity materials

Trigger easy to dose

Simple operation of the control knobs, for right and left handers

Cost of spare parts replacement extremely customer friendly

HTE
HIGH TRANSFER
EFFICIENCY

TECHNICAL DATA	Ø mm	No.	bar	m ³ /min	N ^l /min	mm
AZ3 HTE 2	1.0	10-15 HTE	2.0	80	200	180
	1.3			140		240
	1.5			160		260
	1.8	18-20 HTE		250	215	300
	2.0			300		340
	2.5	25 HTE		450	280	360
	2.8	28-30 HTE		540	300	380
	3.0			560		400
	3.5			35 HTE		600

• Air nipple: G1/4" • Fluid nipple: G1/4"



SPECIAL WRENCH
ACCESSORIES

ORDER INFORMATION

	Ø 1,0	Ø 1,3	Ø 1,5
AZ3 HTE 2 with 600 ml CUP	W0SPG81AG10C	W0SPG81AG13C	W0SPG81AG15C
AIR CAP SET	W2CAP80AG15		
FLUID NOZZLE + FLUID NEEDLE SET	W2010133500	W2010133600	W2010133700
	Ø 1,8	Ø 2,0	Ø 2,5
AZ3 HTE 2 with 600 ml CUP	W0SPG81AG18C	W0SPG81AG20C	W0SPG81AG25C
AIR CAP SET	W2CAP80AG18		W2CAP80AG25
FLUID NOZZLE + FLUID NEEDLE SET	W2010133800	W2010133900	W2010134000
	Ø 2,8	Ø 3,0	Ø 3,5
AZ3 HTE 2 with 600 ml CUP	W0SPG81AG28C	W0SPG81AG30C	W0SPG81AG35C
AIR CAP SET	W2CAP80AG30		W2CAP80AG35
FLUID NOZZLE + FLUID NEEDLE SET	W2010134300	W2010134100	W2010134200

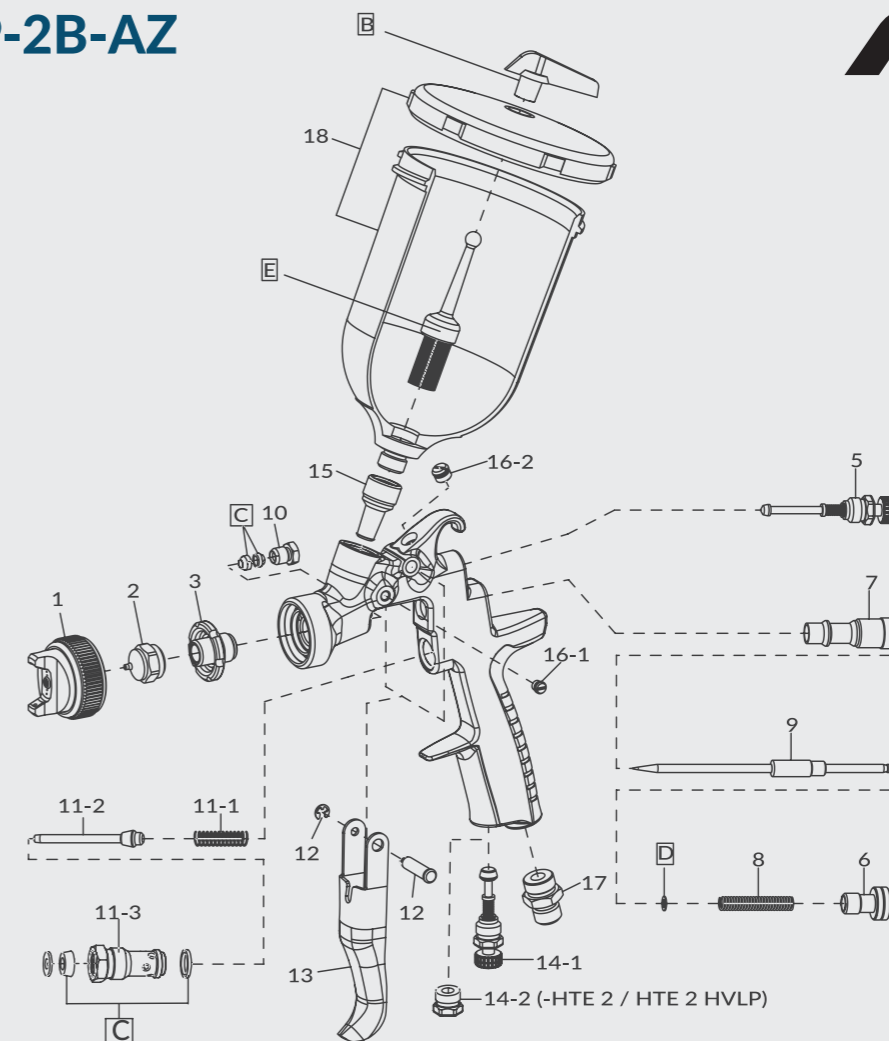
CARTON BOX

AZ3 HTE 2 Spray Gun
PCG-6P-2B AZ CUP - 600 ml



PCG-6P-2B-AZ

GRAVITY
CUP
600 ml



SPARE PARTS

REF.	CODE	DESCRIPTION	QTY.
1		AIR CAP SET	
2+9		FLUID NOZZLE + FLUID NEEDLE SET	Ø 1.0/1.3/1.5
2+9		FLUID NOZZLE + FLUID NEEDLE SET	Ø 1.8/2.0/2.5 2.8/3.0/3.5
3	W2010140200	NOZZLE HOLDER	
5	93842601	PATTERN ADJ. SET	
6	W2010141000	FLUID NEEDLE ADJ. KNOB	
7	W2010140900	FLUID NEEDLE GUIDE	
8	W2010140800	FLUID NEEDLE SPRING	
10	W2010140600	FLUID NEEDLE PACKING NUT	
11	W2010120100	AIR VALVE SET	
11-1	W2010141700	AIR VALVE SPRING	
11-2	W2010130600	AIR VALVE	
11-3	W2010130500	AIR VALVE SEAT	
12	W2COM4001	TRIGGER STUD	
13	W2COM6051	TRIGGER	
14-1	93845531	AIR ADJ. SET	
14-2	93625370	PLUG	
15	W2013040100	THREADED BUSHING	
16-1	W2COM5004	SCREW	
16-2	W2COM6050	PLUG	
17	W2COM5000	AIR NIPPLE	
C	W2KIT56	PACKING SET	(3 pcs./1 pk.)
D	W2KIT33	SLIDE RING SET	(10 pcs./1 pk.)

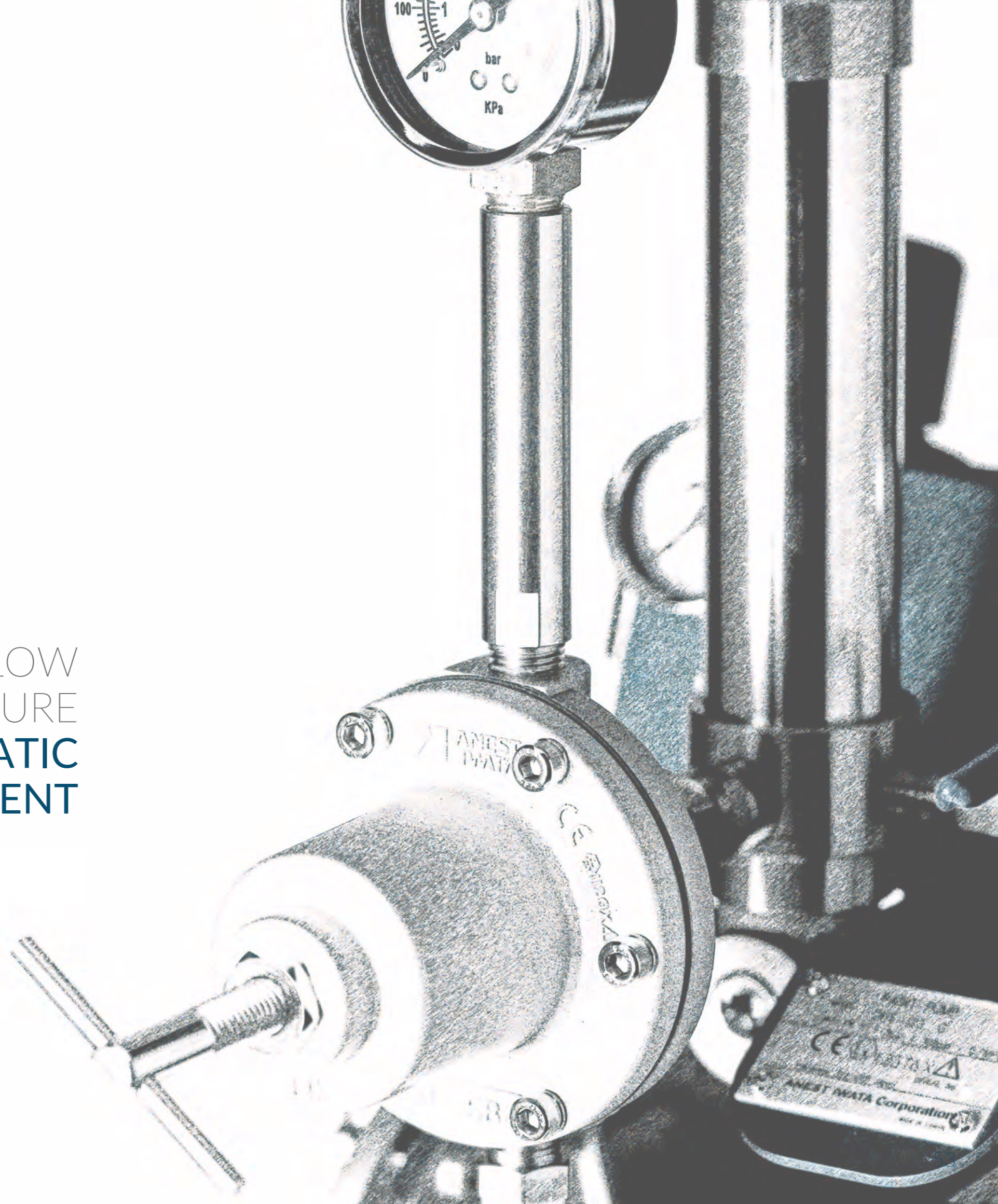
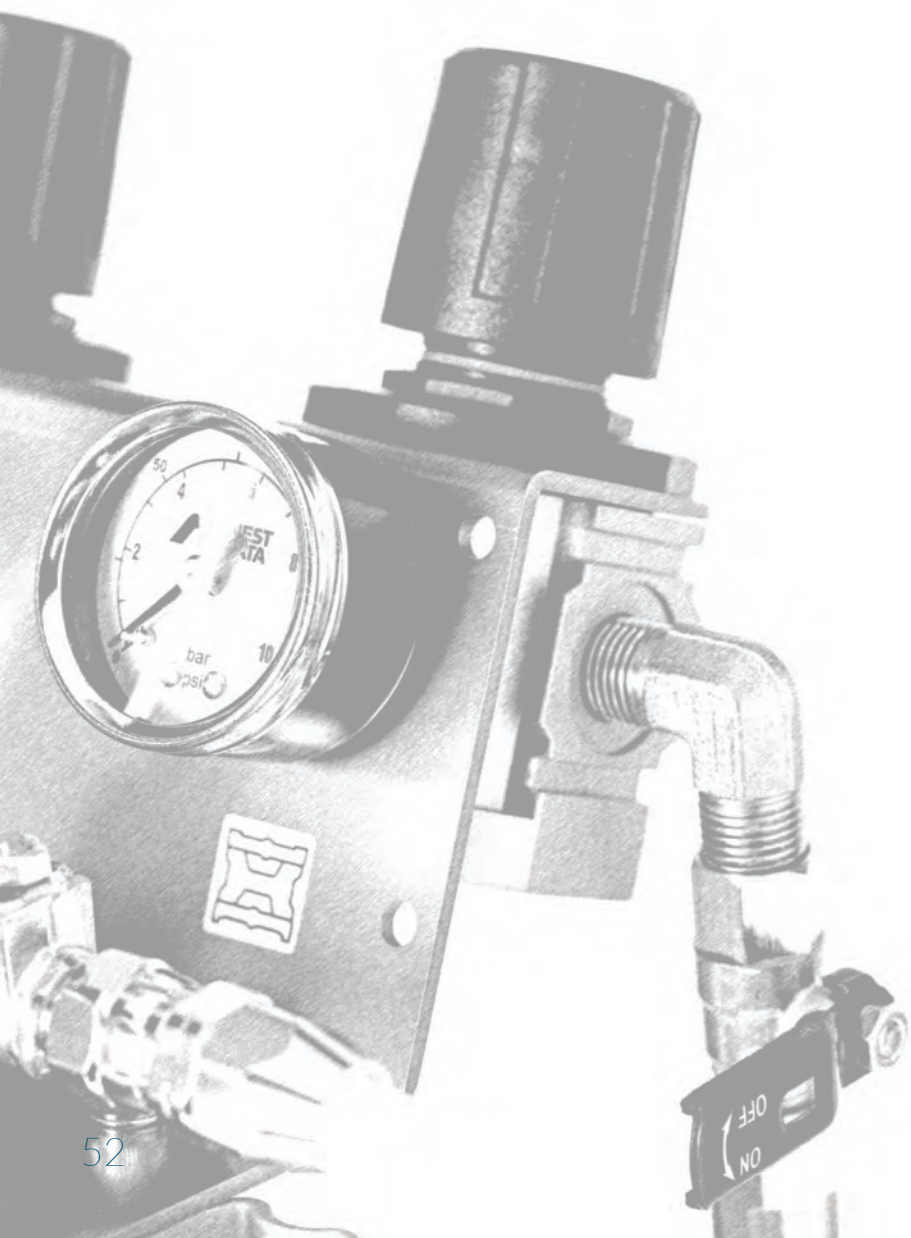
REF.	CODE	DESCRIPTION
18	W0012820100	PCG-6P-2B-AZ GRAVITY CUP 600 ml
B	W2KIT07	NON DRIP SET (5 pcs./1 pk.)
E	W2KIT06	NON DRIP

ACCESSORIES

CODE	DESCRIPTION
W2KIT55UK	CLEANING KIT
VPACAZ3H2	BLACK PLASTIC CASE (for 1 SPRAY GUN and 1 CUP)
W2503500100	SPECIAL WRENCH

PAINT SUPPLY SYSTEM

LOW
PRESSURE
PNEUMATIC
EQUIPMENT



DPS-120 & DPS-90 PUMP UNITS

FEATURES

Double Diaphragm paint pumps come in a compact and stylish designs. They are the perfect choice for the delivery of fluid media (solvent and water-based paints) to the supply of manual and automatic spray guns.

Fully pneumatic pump control with Double Spool air circuit. The reliable pump motor combined with the Double Spool air circuit promises an excellent finish. (Air pressure circuit conform to safety standard UNI EN 12621).

The pneumatic control system prevents the forced stoppage of the pump. Dead storage material channels and easily collapsible pump structure facilitate cleaning, inspection and maintenance.

Wear-resistant pump assembly.

Available also with a 2-way connection (Aluminium & Stainless Steel models).

ON STAND



ON TANK MOUNT



ON CART



PUMP UNIT
DDP-120B.TE

DPS 120 C / -C-WB / -CN

UNIT ASSEMBLY	MODELS	CODE
ALUMINIUM	Pump Unit	DDP-120B.TE 14068690
	On Stand	DPS-1201C.TE 14069030
	On Tank Mount	DPS-1202C.TE 14069110
	On Cart w/Dip tube	DPS-1203C.TE 14069190
	On Wall Mount	DPS-1204C.TE 14069270
	On Cart w/Hopper	DPS-12036C.TE 14069350
Paint Pressure Regulator PR-5BL		14608200

UNIT ASSEMBLY	MODELS	CODE
ALU. ANODIZED	Pump Unit	DDP-120B-WB.TE 14068710
	On Stand	DPS-1201C-WB.TE 14069050
	On Tank Mount	DPS-1202C-WB.TE 14069130
	On Cart w/Dip tube	DPS-1203C-WB.TE 14069210
	On Wall Mount	DPS-1204C-WB.TE 14069290
	On Cart w/Hopper	DPS-12036C-WB.TE 14069370
Paint Pressure Regulator PR-5BL-WB		14608220

UNIT ASSEMBLY	MODELS	CODE
STAINLESS STEEL	Pump Unit	DDP-120B.NTE 14068700
	On Stand	DPS-1201C.NTE 14069040
	On Tank Mount	DPS-1202C.NTE 14069120
	On Cart w/Dip tube	DPS-1203C.NTE 14069200
	On Wall Mount	DPS-1204C.NTE 14069280
	On Cart w/Hopper	DPS-12036C.NTE 14069360
Paint Pressure Regulator PR-5BLN		14608210

TECHNICAL DATA

Ratio	1:1	
Max. Working Pressure	7 bar (100 psi)	
Fluid Output at 30 cyc/min.	4.5 lt./min	1.5 lt./min
Fluid Output at 200 cyc/min. max	30 lt./min	10 lt./min
Paint Viscosity	85 sec/Ford#4	
Working Temperature	5-40 °C	
Paint outlet filter	100 mesh	
Suction paint filter	50 mesh	

ON WALL MOUNT



ON CART + HOPPER



PUMP UNIT
DDP-90F.TE

DPS 90 G / -G-WB / -GN

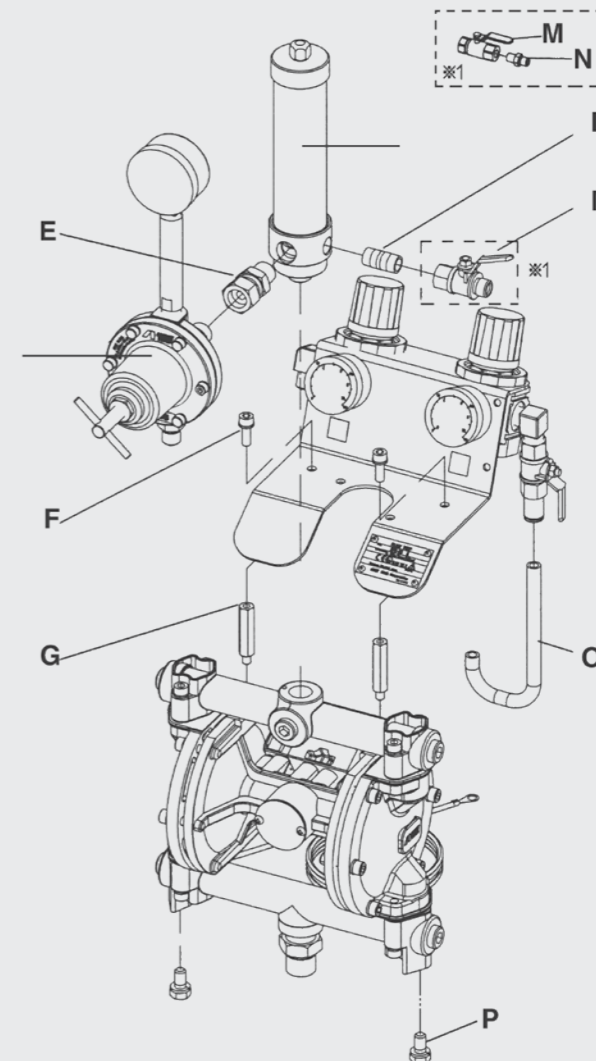
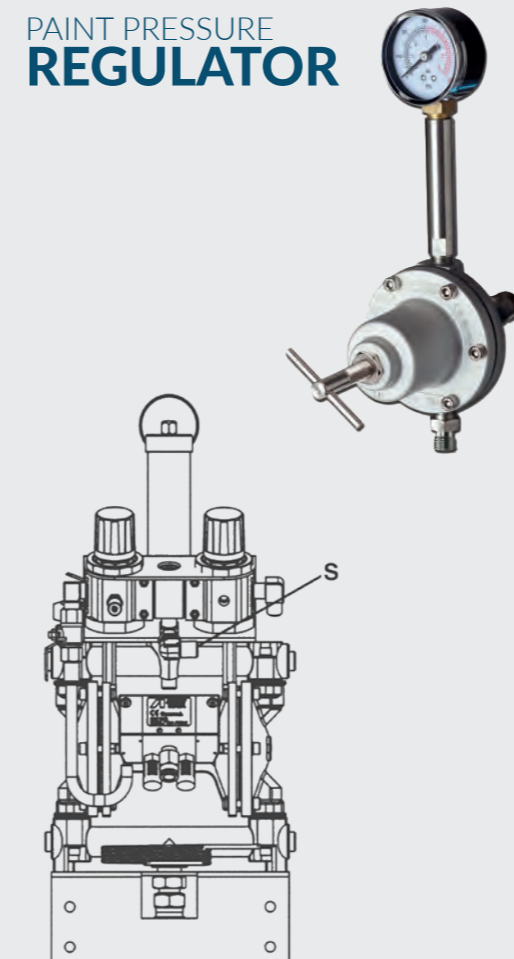
MODELS	CODE
DDP-90F.TE	14068660
DPS-901G.TE	14069000
DPS-902G.TE	14069080
DPS-903G.TE	14069160
DPS-904G.TE	14069240
DPS-9036G.TE	14069320
PR-5BL	14608200

MODELS	CODE
DDP-90F-WB.TE	14068680
DPS-901G-WB.TE	14069020
DPS-902G-WB.TE	14069100
DPS-903G-WB.TE	14069180
DPS-904G-WB.TE	14069260
DPS-9036G-WB.TE	14069340
PR-5BL-WB	14608220

MODELS	CODE
DDP-90F.NTE	14068670
DPS-901GN.TE	14069010
DPS-902GN.TE	14069090
DPS-903GN.TE	14069170
DPS-904GN.TE	14069250
DPS-9036GN.TE	14069330
PR-5BLN	14608210

DPS-120 & DPS-90 ACCESSORIES

PAINT PRESSURE REGULATOR



ORDER INFORMATION

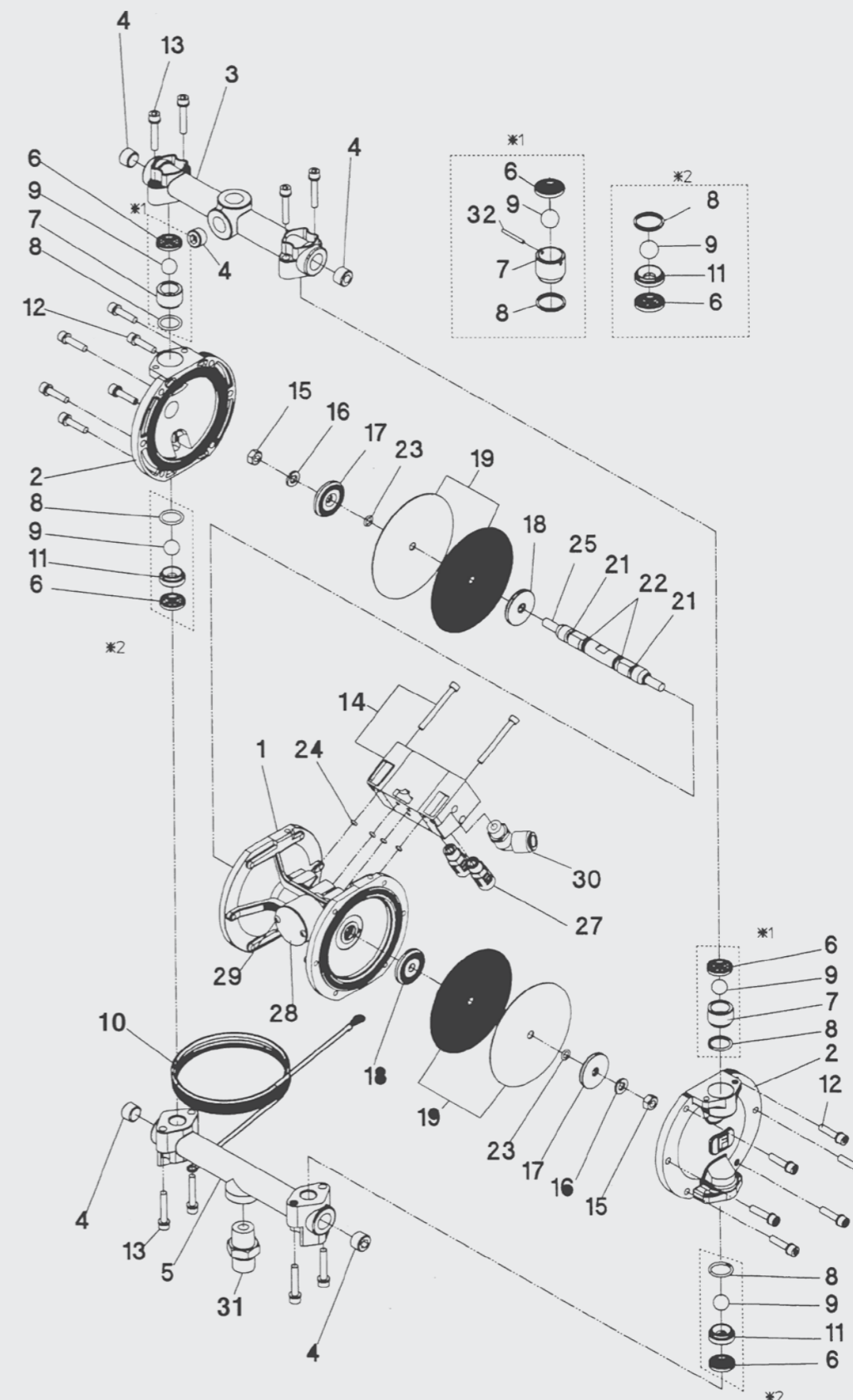
REF.	CODE	DESCRIPTION	for MODELS
A	14608200	PAINT REGULATOR SET PR-5BL	for Aluminium
A	14608220	PAINT REGULATOR SET PR-5BL-WB	for Aluminium Anodized
A	14608210	PAINT REGULATOR SET PR-5BLN	
C	94493020	PAINT FILTER SET	
E	06859803	SWIVEL JOINT	for DPS 120-1C/-2C/-3C/-4C/-36C_DPS 90-1G/-2G/-3G/-4G/-36G
E	06859591	SWIVEL JOINT	for DPS 120-1CN/-2CN/-3CN/-4CN/-36CN and -WB_DPS 90-1GN/-2GN/-3GN/-4GN/-36GN and -WB
F	06357501	HEX. SOCKET BOLT WITH WASHER	
G	04493000	CONNECTING BOLT	
I	06642002	NIPPLE	
M	04432650	BALL VALVE	
M	04433630	BALL VALVE	for DPS120-1C/-2C/-3C/-4C/-36C and DPS90-1G/-2G/-3G/-4G/-36G
N	04343310	JOINT G1/4"R1/4"	for DPS 120-1CN/-2CN/-3CN/-4CN/-36CN and -WB_DPS 90-1GN/-2GN/-3GN/-4GN/-36GN and -WB
O	04494040	PIPE	for DPS 120-1CN/-2CN/-3CN/-4CN/-36CN and -WB_DPS 90-1GN/-2GN/-3GN/-4GN/-36GN and -WB
P	06994758	WASHER BOLT	
S	06859563	ELBOW UNION	for DPS 120-4C/-4CN and DPS 90-4G/-4GN

DOUBLE DIAPHRAGM

PUMPS

ORDER INFORMATION - DPS-120 & DPS-90

REF.	CODE	DESCRIPTION	QTY.	DDP-90F	DDP-90FN	DDP-90F-WB	DDP-120B	DDP-120BN	DDP-120B-WB
1	94410622	MAIN BODY		X	X	X			
1	94437632	MAIN BODY					X	X	X
2	94456582	LID		X					
2	94414592	LID			X				
2	94456640	LID				X			
2	94439631	LID					X		
2	94453660	LID						X	
2	94439650	LID							X
3	94452640	UPPER ADAPTOR		X			X		
3	94414650	UPPER ADAPTOR			X			X	
3	94452650	UPPER ADAPTOR				X			X
4	06990413	HEXAGON SOCKET PLUG		X			X		
4	06367202	HEXAGON SOCKET PLUG			X	X		X	X
5	94441630	LOWER ADAPTOR		X			X		
5	94416592	LOWER ADAPTOR			X			X	
5	94441640	LOWER ADAPTOR				X			X
6	04935620	PACKING SET	(2 pcs.)	X	X	X			
6	94933290	PACKING SET	(2 pcs.)				X	X	X
7	04931630	EXHAUST VALVE	(2 pcs.)	X	X	X			
7	94935290	EXHAUST VALVE	(2 pcs.)				X	X	X
8	04932630	'O'RING SET	(2 pcs.)	X	X	X			
8	94930300	'O'RING SET	(2 pcs.)				X	X	X
9	04930630	STEEL BALL SET	(2 pcs.)	X	X	X			
9	94934290	STEEL BALL SET	(2 pcs.)				X	X	X
10	04492830	GROUND WIRE		X	X	X	X	X	X
11	04933630	INTAKE VALVE	(2 pcs.)	X	X	X			
11	94446630	INTAKE VALVE	(2 pcs.)				X	X	X
12	96357500	HEX. SOCKET BOLT WITH WASHER		X	X	X	X	X	X
13	96357502	HEX. SOCKET BOLT WITH WASHER		X	X	X	X	X	X
14	94490632	AIR OPERATING VALVE SET		X	X	X	X	X	X
15	06361081	HEX. NUT		X	X	X	X	X	X
16	06362080	SPRING WASHER		X	X	X	X	X	X
17	04414600	DIAPHRAGM HOLDER (OUTER)		X	X	X			
17	94448630	DIAPHRAGM HOLDER (OUTER)					X	X	X
18	94453581	DIAPHRAGM HOLDER (INNER)		X	X	X			
18	94449631	DIAPHRAGM HOLDER (INNER)					X	X	X
19	94931621	DIAPHRAGM SET	(2+2 pcs.)	X	X	X			
19	94932301	DIAPHRAGM SET	(2+2 pcs.)				X	X	X
21	06996610	'Y'PACKING		X	X	X	X	X	X
22	06630011	'O'RING		X	X	X	X	X	X
23	06630008	'O'RING		X	X	X	X	X	X
24	06630004	'O'RING		X	X	X			
24	06630006	'O'RING					X	X	X
25	04431590	ROD		X	X	X	X	X	X
27	04432590	MUFFLER		X	X	X	X	X	X
28	04456570	BLANKING COVER		X	X	X	X	X	X
29	06234002	TAPPING SCREW		X	X	X	X	X	X
30	06800202	ELBOW UNION		X	X	X	X	X	X
31	04427640	JOINT		X			X		
31	04428640	JOINT			X	X		X	X
32	94444630	PIN					X	X	X



PAIN PRESSURE TANKS

PET SERIES (max. 7.0 bar)

The Anest Iwata PET paint pressure tank series guarantee a valid and reliable fluid supply system for spray guns and other pneumatic equipments. The system is an excellent tool to allow a valid dilution, a correct density and a constant mixing of the paint (constantly stirred if required) with low pressures and flow rates.



TECHNICAL DATA				
Max. Working Pressure	7 bar (100 psi)			
Air Inlet Joint	G 1/4" M			
Fluid Outlet Joint	G 3/8" M			
Working Temperature	5~40 °C			
Mass	PET 10 N	15.3 Kg	PET 10 MN	17.5 Kg
	PET 30 N	20.4 Kg	PET 30 MN	22.6 Kg
	PET 50 N	115.3 Kg	PET 50 MN	28.2 Kg
Dimension	PET 10 N /-10 MN		540 x 330 mm	
	PET 30 N /-30 MN		710 x 415 mm	
	PET 50 N /-50 MN		810 x 470 mm	

FEATURES

- Stainless steel container, polished inside
- PET 10 (10 lt.), PET 30 (30 lt.), PET 50 (50 lt.)
- N: without pneumatic agitator
- MN: with pneumatic agitator
- Second fluid connection (optional)
- No additional lubrication of drive required
- All models conform to ATEX

ORDER INFORMATION: PET-10 - PET-30 - PET-50

PET SERIES	10 lt	30 lt	50 lt
PET-10N	14972600	-	-
PET-10MN with pneumatic agitator	14972620	-	-
PET-30N	-	14972630	-
PET-30MN with pneumatic agitator	-	14972650	-
PET-50N	-	-	14972660
PET50MN with pneumatic agitator	-	-	14972680

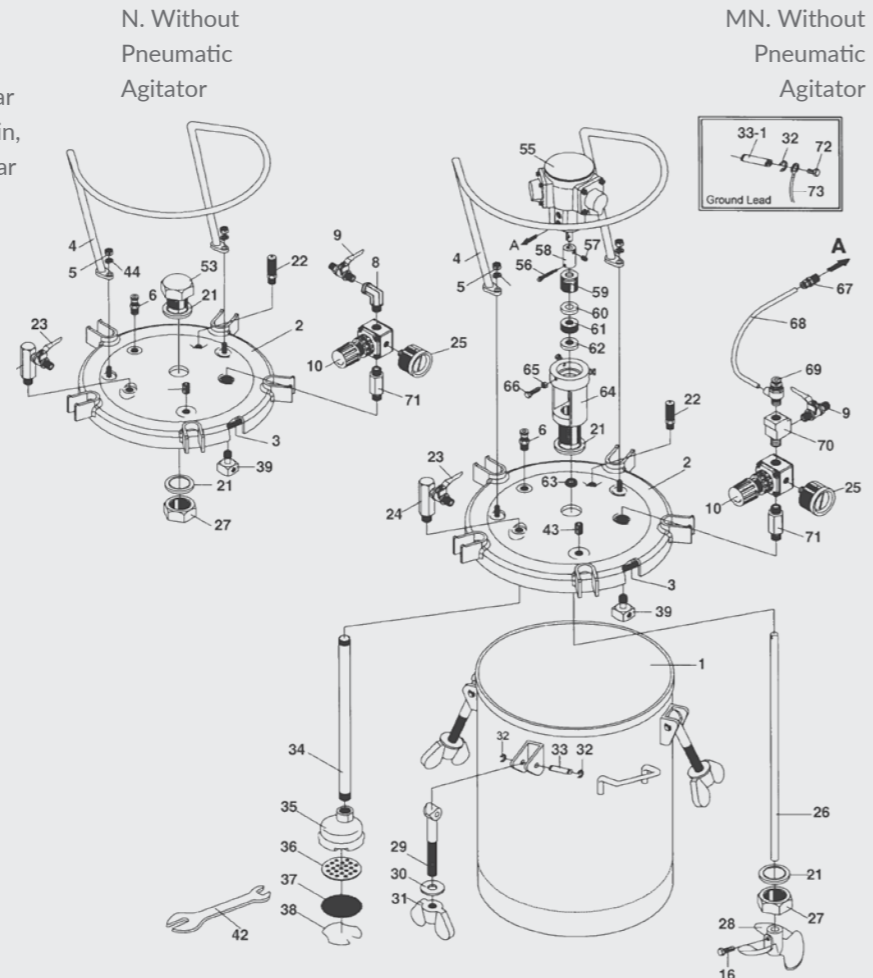
PET-50
50 LITROS
Pneumatic Agitator
AM-6B
Operating pressure: 1÷1.5 bar
Air consumption: 15 Liter/min,
Max. air inlet pressure: 7.0 bar



PET-30
30 LITROS



PET-10
10 LITROS



ORDER INFORMATION



REF.	CODE	DESCRIPTION	10N	10MN	30N	30MN	50N	50MN
3	04015110	LID PACKING	X	X				
3	04015240	LID PACKING			X	X		
3	04016170	LID PACKING					X	X
4	04015250	HANDLE			X	X		
4	04019250	HANDLE	X	X				
4	04016180	HANDLE					X	X
5	04015140	HEXAGON NUT	X	X	X	X	X	X
6	04015150	EXHAUST VALVE	X	X	X	X	X	X
8	04015460	ELBOW	X		X		X	
9	04015170	TWO WAY VALVE (Air Inlet)	X	X	X	X	X	X
10	94015180	AIR PRESSURE REGULATOR	X	X	X	X	X	X
16	04019040	HEAD BOLT		X		X		X
21	04019100	SEALING RING	X	X	X	X	X	X
22	04002211	SAFETY VALVE	X	X	X	X	X	X
23	04015450	TWO WAY VALVE (Fluid outlet)	X	X	X	X	X	X
24	04015470	FLUID OUTLET ADAPTER	X	X	X	X	X	X
25	04016190	PRESSURE GAUGE	X	X	X	X	X	X
26	04016400	ROD + COUPLING (56+57+58)		X				
26	04016410	ROD + COUPLING (56+57+58)				X		
26	04016420	ROD + COUPLING (56+57+58)						X
27	04019120	FIXING NUT	X	X	X	X	X	X
28	04016430	PROPELLER		X		X		X
29	04015490	SWING BOLT	X	X	X	X	X	X
30	04016200	WASHER	X	X	X	X	X	X
31	04016210	THUMB NUT	X	X	X	X	X	X
32	94020220	E-STOPPER	X	X	X	X	X	X
33	94020230	PIN	X	X	X	X	X	X
33-1	04016440	PIN (SUS)	X	X	X	X	X	X
34	04016450	SUCTION PIPE	X	X				
34	04016460	SUCTION PIPE			X	X		
34	04016470	SUCTION PIPE					X	X
35	04015270	FILTER COVER			X	X	X	X
35	04016260	FILTER COVER	X	X				
36	04015280	FILTER BASE			X	X	X	X
36	04016270	FILTER BASE	X	X				
37	04015290	FILTER (40 Mesh)			X	X	X	X
37	04016280	FILTER (40 Mesh)	X	X				
38	04015300	FILTER STOPPER			X	X	X	X
38	94016290	FILTER STOPPER	X	X				
39	94016310	AIR FLOW GUIDE	X	X	X	X	X	X
43	06990412	HEX. SOCKET SCREW			X	X	X	X
44	06500804	SPRING WASHER	X	X	X	X	X	X
53	04016480	HEAD BOLT	X		X		X	
55	AM-6B	PNEUMATIC AIR MOTOR		X		X		X
59	04017410	PACKING SEAT		X		X		X
60	04017420	"V" PACKING FEMALE ADAPTOR		X		X		X
61	04017430	"V" PACKING		X		X		X
62	04017440	"V" PACKING MALE ADAPTOR		X		X		X
63	04017450	O-RING		X		X		X
64	04017460	AIR MOTOR SUPPORT		X		X		X
65	04017470	HEX. NUT		X		X		X
66	04017480	HEAD BOLT		X		X		X
67	03014470	QUICK COUPLING		X		X		X
68	04018100	AIR HOSE		X		X		X
69	04018110	SPEED CONTROLLER		X		X		X
70	04018120	ADAPTER		X		X		X
71	04018130	ADAPTER	X	X	X	X	X	X
72	04018140	SCREW	X	X	X	X	X	X
73	04018150	GROUND WIRE	X	X	X	X	X	X



PAINT PRESSURE TANK

PET-10 (max- 4.0 bar)

FEATURES

- Paint pressure tank with stainless steel inner tank for easy filling of the appropriate material and a trouble-free interior cleaning
- Robust construction
- Suitable for hydraulic products
- Carry handle for quick and easy transport
- Equipped with locking lid, 2 controllers, 2 pressure gauges and safety valve
- Conform to ATEX



INNER TANK IN STAINLESS STEEL

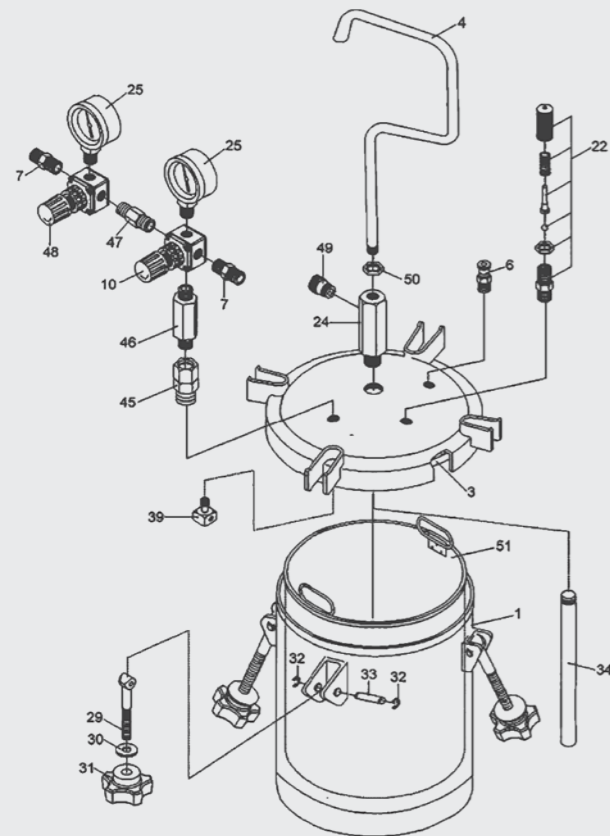


TECHNICAL DATA

Max. Operating pressure	4.0 bar
Tank capacity	10 liter, inner tank 8.5 liter stainless steel
Air inlet joint	G 1/4" M
Fluid output joint	3/8" M
Operating temperature	5-40 °C
Weight	11 Kg
Dimensions	310x310x565 mm

ORDER INFORMATION

REF.	CODE	DESCRIPTION
	14972400	PET-10 PRESSURE TANK 10 lt.
3	94020200	LID PACKING
4	94020020	HANDLE
6	94020030	EXHAUST VALVE
7	94020210	AIR INLET JOINT / OUTLET JOINT G1/4"
10	94008260	PRESSURE REGULATOR (FOR TANK)
22	94016391	SAFETY VALVE
24	94020040	FLUID OUTLET CONNECTING JOINT SUS 303
25	94016020	PRESSURE GAUGE
29	94020190	HANDLE BOLT
30	94020060	WASHER
31	94020070	THUMB NUT
32	94020220	C-SNAP RING
33	94020230	STUD
34	94020090	SUCTION PIPE SUS 303
39	94016310	AIR FLOW GUIDE
45	94020100	ADAPTER
46	94020110	ADAPTER
47	94020120	ADAPTER
48	94020130	PRESSURE REGULATOR (FOR GUN)
49	94020140	FLUID OUTLET JOINT SUS 303 3/8"
50	94020160	NUT
51	94020170	INNER TANK SUS 304



PRESSURIZED CONTAINER



PC-18D-S0 (max-3.5 bar)

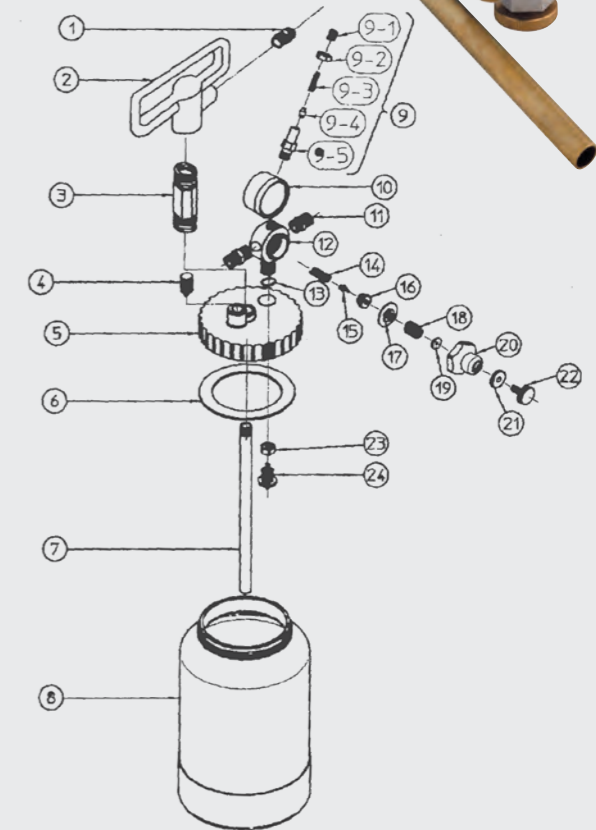
FEATURES

- Small Paint Pressure Tank Aluminum 2 liters
- Max. operating pressure: 3.5 bar
- Operating temperature: 5-40° C
- Fluid Nipple: G 3/8" (PF3/8")

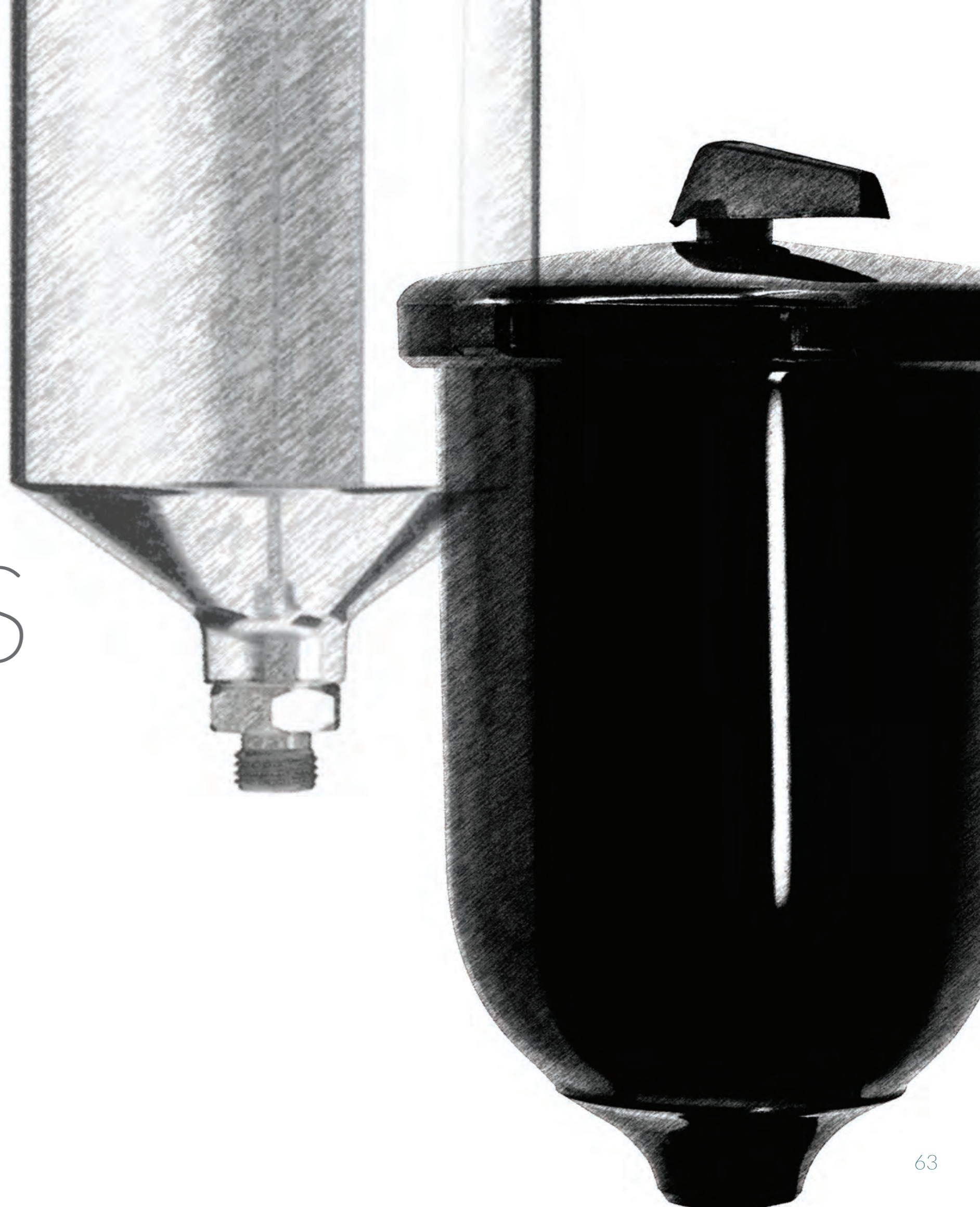


ORDER INFORMATION

REF.	CODE	DESCRIPTION
	14018900	PC-18D-S0 PRESSURIZED CONTAINER
1	94056350	FLUID JOINT
2	94055350	HANDLE
3	94057350	HANDLE JOINT
4	94003350	AIR RELEASE VALVE
5	94053350	LID
6	94900210	LID PACKING (2 pcs./1 pk.)
7	94001350	SUCTION PIPE
8	94000351	CONTAINER SET
9	94007350	SAFETY VALVE
9-1	04012350	PLUG
9-2	04011350	NUT
9-3	04010350	SAFETY VALVE SPRING
9-4	04009350	SAFETY VALVE SPRING SEAT
9-5	04008350	SAFETY VALVE BODY
10	94048400	PRESSURE GAUGE
11	94027350	JOINT
12	94049350	AIR REGULATOR BODY SET
13	06631012	'O'RING
14	04016350	SPRING
15	04017350	REGULATOR SEAT
16	04018350	GUIDE
17	04019350	DIAPHRAGM SET
18	04023350	DIAPHRAGM SET SPRING
19	04038350	SPRING HOLDER
20	04024350	CAP
21	04025350	NUT
22	04026350	KNOB
23	94058350	NUT
24	94069350	VALVE



CUPS FILTERS AND ADAPTERS



GRAVITY CUPS - ORDER INFORMATION

GRAVITY CUPS - ORDER INFORMATION

CENTRAL 600 ml

PC-G600P-2
 Code: 1409100
 Connection: G1/4" (PF1/4")
 Cpty.: 600 ml
 Available for: WS-400 - LS-400
 W300 WB (opt.) - LPH-300



PCG-6-PE
 Code: 14011001
 Connection: M16 x 1.5 F
 Cpty.: 600 ml
 Available for: WS-400 Series



PCG-6P-2-AZ
 Code: W0CUPAZ90
 Connection: G1/4" (PF1/4")
 Cpty.: 600 ml
 Available for: AZ3 HTE 2
 AZ3 HTE-S Impact



PCG-6P-2B-AZ
 Code: W0012820100
 Connection: G1/4" (PF1/4")
 Cpty.: 600 ml
 Available for: AZ3 HTE 2



PCGP-6P-2B-AZ
 Code: W0CUPAZ85
 Connection: G1/4" (PF1/4")
 Cpty.: 600 ml
 Available for: AZ3 HTE P.A.S.
 Concept



CENTRAL 250 ml

PCG-3P-1
 Code: VPE 250
 Connection: G1/8" (PF1/8")
 Cpty.: 250 ml
 Available for: LPH-80 (opt.)



CENTRAL 200 ml

PCG-2P-2
 Code: W0CUPAZ40IN
 Connection: G1/4" (PF1/4")
 Cpty.: 200 ml
 Available for: W-300 WB - LPH-300 (opt.)
 AZ4 HTE-S Impact Junior



PCG-2P-2B-AZ
 Code: W0CUPAZ40
 Connection: G1/4" (PF1/4")
 Cpty.: 250 ml
 Available for: AZ40 HTE



SIDE 200 ml

PC-52 AG
 Code: 14018186F
 Connection: G1/4" (PF1/4")
 Cpty.: 200 ml
 Available for: RG-3L



SIDE 130 ml

PC-61
 Code: 14018190
 Connection: G1/4" (PF1/4")
 Cpty.: 130 ml
 Available for: RG3L - LPH 50



CENTRAL 70 ml

PCG-1P-1
 Code: 13678980
 Connection: G1/8" (PF1/8")
 Cpty.: 70 ml
 Available for: LPH-80



PCG-1P-1B-AZ
 Code: W00012320100
 Connection: G1/8" (PF1/8")
 Cpty.: 70 ml
 Available for: AZ5



PCG-1P-2
 Code: 13001200
 Connection: G1/4" (PF1/4")
 Cpty.: 70 ml
 Available for: AZ4 HTE-S
 Impact Junior



FILTERS ORDER INFORMATION



Code: 94011240
 Description: 60 MESH (250µ)
 Available for: WS-400 (600 ml) - LS-400 (600 ml) - W-300 WB (opt.)



Code: 03515500
 Description: 60 MESH (250µ)
 Available for: W-400 Series (600 ml)



Code: W2KIT06
 Description: 60 MESH (250µ)
 Qty.: 5 pcs.
 Available for: W-300 WB (200 ml) - LPH-300 (opt.) - AZ3 HTE2 (600 ml)
 AZ3 HTE S Impact (600 ml)

3M PPS 2.0 ADAPTERS

CODE	MODEL	TYPE	AVAILABLE FOR
960075A0	CUPS ADAPTORS 3M PPS 2.0	S6	W-300 - LPH-300
960074A0		S2	W-400 - LPH-400
960059A0		S43	WS-400 - LS-400 - AZ3 HTE2 - AZ3 HTE S Impact
960076A0		S31	LPH-80
CUPS ADAPTORS 3M - Available while stocks last			
W2COM6067	CUPS ADAPTORS 3M	Typ 43	WS-400 - LS-400 - AZ3 HTE2 - AZ3 HTE S Impact
W3M000A06		Typ 6	W-300 WB - LPH-300
W3M000A02		Typ 2	W-400 Serie Classic Plus
W3M000A31		Typ 31	LPH-80

3M PPS 2.0 ADAPTER



CUPS - FILTERS and

ADAPTERS



BLACK GRAVITY CUPS - ORDER INFORMATION

FOR UV-CURED PAINT

The UV CUPS are an addition to our standard line of cups. Thanks to their black color they help protecting UV-cured paints from unwanted exposition.



CENTRAL 600 ml

PCG-6P-M-S1

Code: 13000330
Connection: G1/4" (PF1/4")
Cpty.: 600 ml
Available for: W-400 LPH-400 Classic Plus Series



CENTRAL 200 ml

PCG-2P-2-S1

Code: 140025A0
Connection: G1/4" (PF1/4")
Cpty.: 200 ml
Available for: W-300 WB UV



CENTRAL 70 ml

PCG-1P-1-S1

Code: 13000230
Connection: G1/8" (PF1/8")
Cpty.: 70 ml
Available for: LPH-80



UV BLACK CUP

Code: WOCUPAZ91
Connection: G1/4" (PF1/4")
Cpty.: 600 ml
Available for: AZ3 HTE IMPACT

ALUMINIUM GRAVITY CUPS FILTERS and ADAPTERS

ORDER INFORMATION

CENTRAL 1000 ml

PCG10EM
Code: VAIU6034E
Connection: M16 x 1,5 F
Cpty.: 1000 ml
Available for: W-400 Series



CENTRAL 400 ml

PCG4D-2
Code: VAIU6031D
Connection: G1/4" (PF1/4")
Cpty.: 400 ml
Available for: WS-400 - LS-400 - W-300 WB - LPH-300



CENTRAL 70 ml

PCG2D-1
Code: VAIU6050
Connection: G1/8" (PF1/8")
Cpty.: 70 ml
Available for: LPH-80



CENTRAL 700 ml

PCG7D-2
Code: VAIU6032D
Connection: G1/4" (PF1/4")
Cpty.: 700 ml
Available for: WS-400 - LS-400 - W-300 WB - LPH-300



PCG7EM
Code: VAIU6033E
Connection: M16 x 1.5 F
Cpty.: 700 ml
Available for: W-400 Series



CENTRAL 150 ml

PCG2D-2
Code: VAIU6030D
Connection: G1/4" (PF1/4")
Cpty.: 150 ml
Available for: WS-400 - LS-400 - W-300 WB - LPH-300



PCG2B-1
Code: VAIU6036D
Connection: G1/8" (PF1/8")
Cpty.: 150 ml
Available for: LPH-80



HIGH T.E.C. UNDER GUN FILTER

ORDER INFORMATION - for PRESSURE SPRAY GUNS

FEATURES

The High T.E.C. filter consists of a filter housing, in order to couple the filter between the gun and the fluid hose. It is available in 3 filtrations. It has a large filtration surface and can be used with hydro-soluble products.



CODE	DESCRIPTION	QTY.
FILTER HOUSING: in Derlin material for solvent and water based paint		
VLA006225	HIGH T.E.C. FILTER HOUSING	F 3/8"-M 3/8"
VLA62251414	HIGH T.E.C. FILTER HOUSING	F 1/4"-M 1/4"
VLA62251438	HIGH T.E.C. FILTER HOUSING	F 1/4"-M 1/4"
FILTER: in Polyamide (PA) plain weave PLASTIC BODY: in Polypropylene (PP)		
VLA6225340	UNDERGUN FILTER	WHITE
VLA6225100	UNDERGUN FILTER	BLUE
VLA6225052	UNDERGUN FILTER	GREEN



GENERAL
ACCESSORIES
HEALTH
PROTECTION

ANEST IWATA OVERALL

PREMIUM QUALITY



IMPROVED FIT AND HIGH FULL DAY COMFORT

The New Premium Spray Overall provides optimum protection against overspray and prevents pollution of the painting job by fibres, dust and lint. It has been designed with the user in mind, to guarantee a full day comfort and to responds to all our users safety necessity by an improved antistatic fiber most resistant and a new designed hood for a better fit.

PERSONAL PROTECTIVE EQUIPMENT (PPE)

Category I according to the European Directive 2016/425
Basic PPE protects against minimal risks.

OVERALL'S SIZE CHART

SIZE	S	M	L	XL
EU	46	48	50	52-54
HIGH	170-174 cm	174-178 cm	178-182 cm	182-190 cm
CHEST	86-94 cm	94-102 cm	102-110 cm	110-118 cm
WAIST	70-78 cm	78-86 cm	86-94 cm	94-102 cm

Bicolored Overall in two different dark grey tones

Nylon fabric (EN 1149-1: 2006) with 1% carbon thread for maximum antistatic ability

According to 1149-3 Method 2: Induction decay time

Perfect fit for all sizes

Maximum movability

Dirt and water repellent, protects against overspray

Dust and lint free

High durable blind zipper

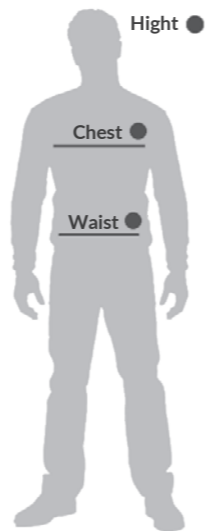
Underarm aeration net

Waist with elastic band

Tight fit to neck, sleeves and ankles cuffs

2 side pockets

Available sizes : S-M-L-XL



ORDER INFORMATION

CODE	DESCRIPTION	SIZE
150006A0	PREMIUM SPRAY OVERALL	S
150007A0	PREMIUM SPRAY OVERALL	M
150008A0	PREMIUM SPRAY OVERALL	L
150009A0	PREMIUM SPRAY OVERALL	XL



GOGGLES & GLASSES VISIONSHIELD SERIES

OVER-GLASSES PROTECTIVE GOGGLES



FEATURES

Polycarbonate lens, offers protection from medium energy hi-speed particles, the frame offers protection against large dust particles and liquid droplets.

Soft rubber frame provides comfort for longtime.



CONFORMS TO EN166:2001



LENS MARKING: 2 - 1.2 XXX 1 B 9	
2	Radiation protection: (2= UV filter)
1.2	Gradation: (1.2= Transparent)
XXX	Identification on the producer: (brand)
1	Optical Class: (1= Continuous use)
B	Mechanical resistance: (B= Medium energy impact)
9	Additional requirements: (9= Resistance to splashes of molten metals and penetration of hot solids)



ORDER INFORMATION

CODE	DESCRIPTION
AGN020-441-3P0	VISIONSHIELD GOGGLES

SAFETY WRAPAROUND GLASSES



FEATURES

Moulded with soft rubber to increase grip and provide excellent comfort levels.

Polycarbonate lenses and frame ensure protection against low energy hi-speed particles.

Adjustable nose piece: the soft nose bridge is adjustable and provides high grip fitting that prevents slippage.



CONFORMS TO EN166:2001

Lens Marking: 2 - 1.2 xxx 1 F N	
2	Radiation protection: (2= UV filter)
1.2	Gradation: (1.2= Transparent)
XXX	Identification of the producer: (brand)
1	Optical Class: (1= Continuous use)
F	Mechanical resistance: (F= Low energy impact)
N	Additional requirements: (N= Fogging Resistance)



ORDER INFORMATION

CODE	DESCRIPTION
ASA770-15K-4P0	VISIONSHIELD GLASSES

VIPER HALF FACE GUARD MASK

HALF MASK with INTERCHANGEABLE COMBINED FILTERS



FEATURES

- Full field of vision
- Quick bayonet fittings
- Secure fit
- Large filter surfaces



The spectrum of action of harmful substances is large, then it is necessary identify with great precision the specific risks present in each workplace. The half mask respirators have two different types of filters that offer effective protection against dust, gases and vapors. Wearing protective masks and using them correctly can ensure an effective protection of the health against toxic substances.



Filters in two versions

- A2P3R filter for high protection
- AB1P2R filter for standard protection

- Built-in inhalation valves in the filter
- Low inhalation resistance



A2P3R HIGH PROTECTION COMBINED FILTERS

Filter marking: A2P3R	
A2	(A = organic gas/vapours, bp >65°C) (2 = medium capacity)
P3R	(P = particulate filter) (3 = high capacity) (R= reusable)

Medium Capacity Organic Gas/Vapours Filter (hydrocarbons and solvents) - EN14387:2004

High Efficiency Particles Filter - EN143:2000 + A1:2006

AB1P2R STANDARD PROTECTION COMBINED FILTERS

Low Capacity Inorganic Gas/Vapours Filter (hydrocarbons and solvents) - EN14387:2004

Medium Efficiency Particles Filter - EN143:2000 + A1:2006



Filter marking: AB1P2R	
AB1	(AB = inorganic gas/vapours, bp >65°C) (1 = low capacity)
P2R	(P = particulate filter) (2 = medium capacity) (R= reusable)



- RESPIRATORY PROTECTION
- DUST PARTICLES
- MISTS Et FUMES
- PAINTING ODOURS



ORDER INFORMATION

CODE	DESCRIPTION	QTY.
150001A0	VIPER GUARD MASK (A2P3R Half Face Mask)	
150002A0	VIPER GUARD MASK (AB1P2R Half Face Mask)	
VIUGVM123	A2P3R FILTER SET	(2 pcs)
VIUGVM510	AB1P2R FILTER SET	(2 pcs)
VIUGVM002KIT	P2R PRE-FILTER SET	(4 pre-filters/2 holders)

AIRFED 2020 FULL FACE MASK

One of the biggest risks to the health of the human body is the inhalation of dust, paint mists, gases, vapors or other contaminants, which can be greatly hazardous to our health, even in small quantities. For this reason, it is of extreme importance to use masks to protect against respiratory aggressions that you can undergo during job in a saturated environment of toxic substances. ANEST IWATA offers excellent protections to always ensure your safety in all kind of environments. AIRFED 2020 FULL FACE MASK is functional and stylish. Suitable for use with previously filtered compressed air.

FEATURES

- Very good all-round visibility with large visor
- Head protection and comfort headband
- Visor with quick-change protection film
- Individually adjustable belt
- Easily adjustable width adjustment
- Adjustable fresh air regulator
- 5 micron filter
- New Belt Unit including Whistle Warning
- 1.5m hose (inside diameter 8mm)
- Supplied in Hygiene Box



VISOR

EN166:2001

Lens marking: 1F3	
1	Optical Cass: (1 = Continuous use)
F	Mechanical resistance: (F = Low energy impact)
3	Specific use (risk types): (3 = Resistance to chemical splashes)

HOSE/AIRLINE BREATHING APPARATUS

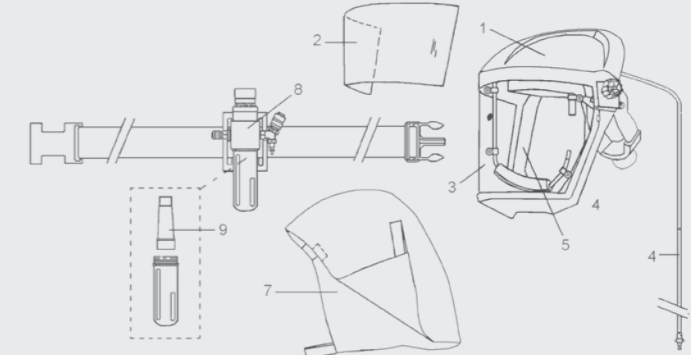
EN14594:2005

Marking: LHD-3	
LHD	Light, duty compressed air line helmet.
3	Class of performance (inward leakage): (3 = maximum 0.5%)

NOTE: compressed Air Breathing Quality, must be Conforms to EN12021:2014

ORDER INFORMATION

CODE	DESCRIPTION	REF.	QTY.
VIUAF2020KIT	2020 AIR FED MASK		
VIUAF2020HEAD	2020 HEADPIECE ONLY	1	
VIUAF2020/K10-SV	VISOR PEEL OFF COVERS	2	10 pcs.
VIUAF2020/K50-SV	TEARS OFFS		50 pcs.
VIUAF2020CHIN	CHIN GUARD AND FACESCREEN	3	
VIUAF2020DIFF	DIFFUSER TUBE	4	
VIUAF2101K5	HYGIENE KIT	5	5 pcs.
VIUAF2103K5	NAPE COVERS	7	5 pcs.
VIUAF2207	BELT REGULATOR	8	
VIUAFG-N-AF-MC	5 MICRON FILTER	9	
VIUAF2003	BELT ONLY		
VIUAF2400	BRACKET ONLY		
I-UK-AH008-FT26	STUB HOSE		
VIUAF2010HRNS	ADJ HARNESS		



CLEANING & MAINTENANCE

AIR QUALITY



PCA12.0 & HCA12.0

ANEST IWATA High Quality Atomizers are especially suited for automotive industry, motorcycle and bicycle garages, machine and metalworking industries and workshops.

FEATURES

- High quality, robust pump spray bottle for quick cleaning of spray guns
- Special, adjustable nozzle \varnothing 0.8 mm (nickel-plated brass)
- Powerful piston pump (nickel-plated brass) for an operating pressure up to 12.0 bar.
- 1 lt. capacity with large opening.
- Level indicator and measurement scale.
- Perfect stability.
- Ergonomically shaped handle for easy operation.
- PCA12.0 with solvent-resistant specialty gaskets (BMS 2010 black) for use with aggressive cleaners, resistant to all common solvents.
- HCA12.0 with chemically resistant Viton seals (FKM (Viton) green) for use with mild cleaners, to 95% for cleaning of basecoat.

PREMIUM QUALITY PCA12.0

PREMIUM QUALITY Cleaning Applicator

AGGRESSIVE
CLEANERS

with SUPER
SEAL BMS 201



ORDER INFORMATION

CODE	DESCRIPTION
W2COM6226	SPRAY GUN CLEANING APPLICATOR PCA 12.0 Premium Quality (Super Seal BMS 210)

HIGH QUALITY HCA12.0

HIGH QUALITY Cleaning Applicator

MILD
CLEANERS

with VITON
SEAL FPM



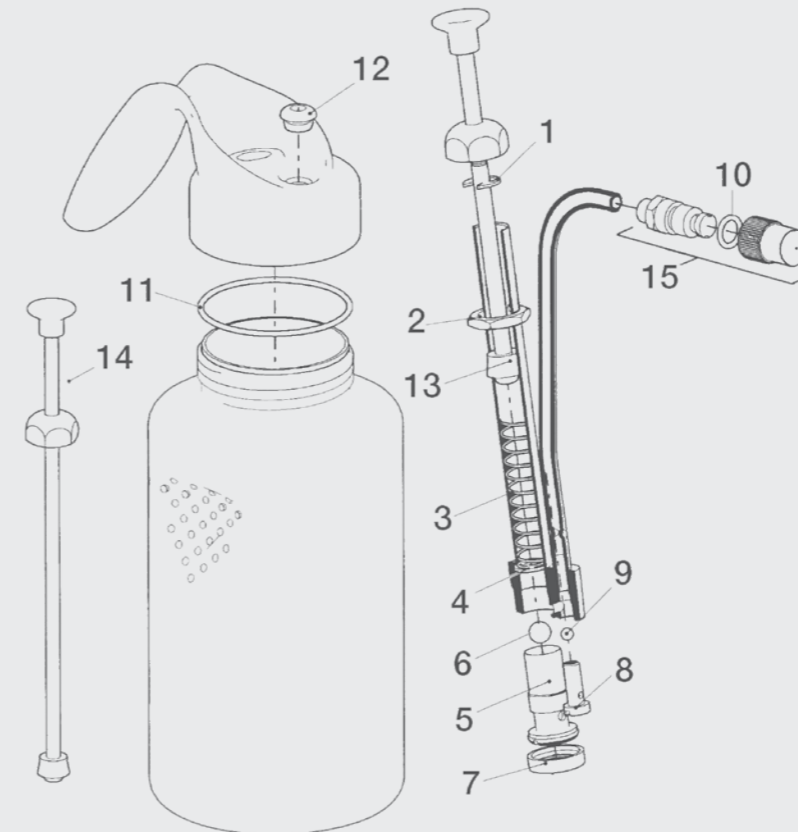
MODELS	PCA 12.0	HCA 12.0
Chemical Resistance	Especially suitable for mineral oil respectively petroleum based products, which contain also Acetone (or similar solvents) and/or Alcohol.	Suitable for mineral oil based products, solvents, separating agents, wax products, emulsions and higher viscosity products. Not suitable for products containing acetone.
Tank Material	PE transparent white	
Gaskets	Special Gaskets BMS 210	Viton FPM
Pump	Nickel plated brass	
Weight (empty)	310 g	
Tank capacity	1 lt.	
Dimensions	H250 mm, \varnothing 120 mm	
Max. operating pressure	12 bar	
Temperature range	from 5° to 50° C	

ORDER INFORMATION

CODE	DESCRIPTION
W2COM6225	SPRAY GUN CLEANING APPLICATOR HCA 12.0 High Quality (Viton Seal FPM)

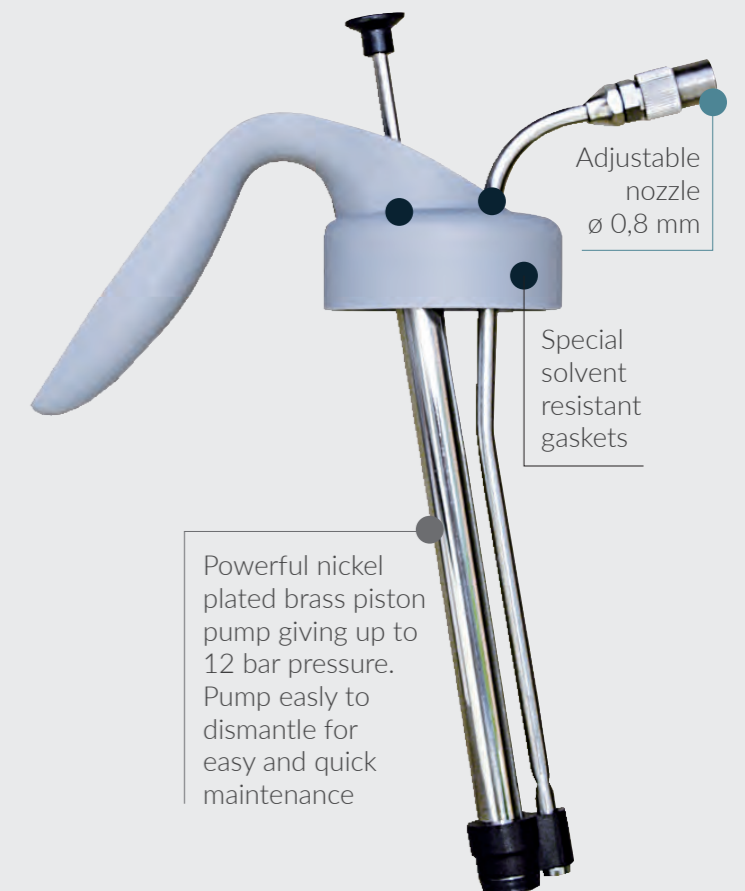
CLEANING APPLICATION

acids ●
alkalis ●
solvents ●
RESISTANT



SPARE PARTS

CODE	DESCRIPTION	REF.
W2KIT70	MAINTENANCE KIT	
	PROTECTION WASHER	1
	NUT	2
	PRESSURE SPRING	3
	WASHER	4
	SUCTION VALVE	5
	BALL 7/32"	6
	SUCTION FILTER CPL.	7
	PRESSURE VALVE	8
	BALL 1/8"	9
W2KIT71	PACKING SET - HCA (FPM - GREEN)	
	O-RING 7,66x1,78	10
	GASKET 57.5x53x2 PE	11
	PRESSURE TUBE JOINT	12
	SLEEVE	13
W2KIT72	PACKING SET - PCA (BMS 210 - BLACK)	
	O-RING 7,66x1,78	10
	GASKET 57.5x53x2 PE	11
	PRESSURE TUBE JOINT	12
	SLEEVE	13
W2KIT73	PISTON SET	14
W2KIT74	ADJUSTABLE NOZZLE SET \varnothing 0.8 mm	15

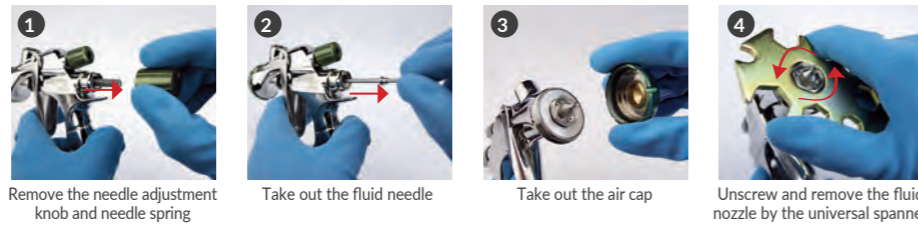


Powerful nickel plated brass piston pump giving up to 12 bar pressure. Pump easily to dismantle for easy and quick maintenance

CLEANING & MAINTENANCE TIPS

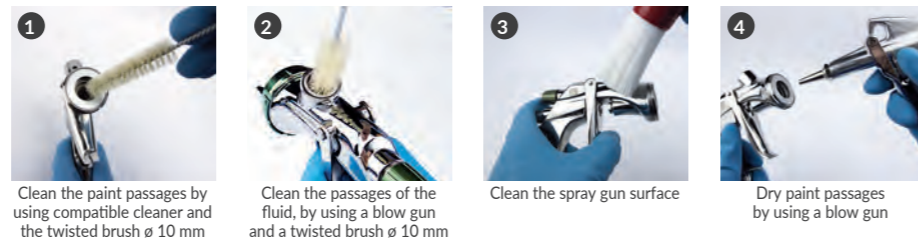
DISASSEMBLING and CLEANING

Disassembly of fluid needle, fluid nozzle and air cap



Cleaning and drying of the spray gun

NOTE
During the cleaning operation be sure to always use a compatible cleaner with the spray gun parts.



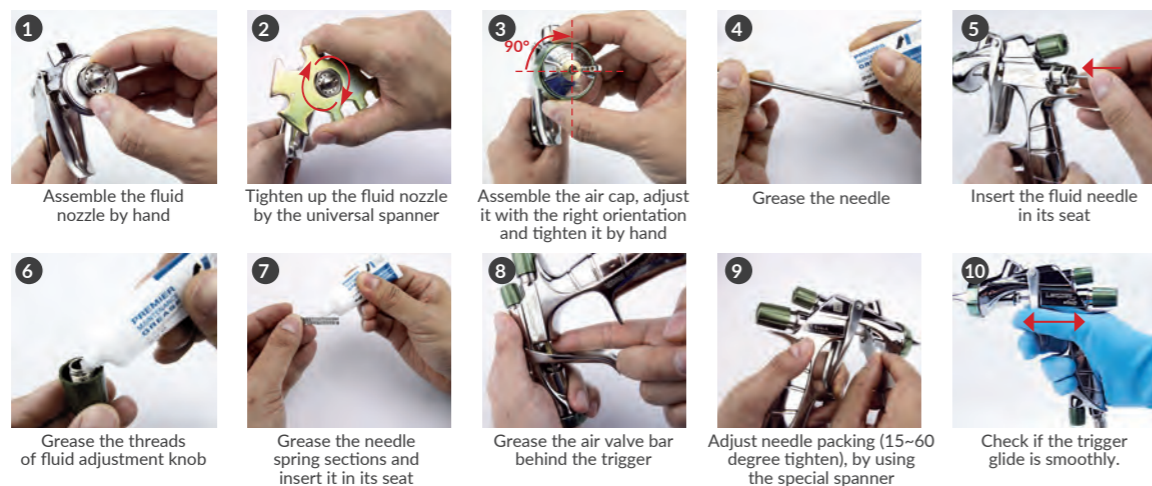
Cleaning of atomizing parts



IMPORTANT. During the manual cleaning operations, be sure to never use any brushes with metal bristles, which could damage the internal parts or the surface of the spray gun.

ASSEMBLING

Assembling and maintenance



IMPORTANT. The use of silicone-free Anest Iwata spray gun grease in maintenance operations, has proved to be a needful means to guarantee the perfect functionality of all moving parts and thread sections of the spray gun and to increase their resistance to wear.

CLEANING & MAINTENANCE TOOLS

THE KIT W2KITUK INCLUDES

- 2 Big Surface Brushes - 1 Flat Brush - 1 Big Twisted Brush - 3 Twisted Brushes (1x Ø 10 mm - 1x Ø 5 mm - 1x Ø 3 mm)
- 1 Tiny Twisted Brush - 12 Cleaning Needles
- Premier Maintenance Grease.



ORDER INFORMATION

NR.	CODE	DESCRIPTION	QTY.
1	W2KIT55UK	SPRAY GUN MAINTENANCE TOOL KIT	
2	W2COM6124	FLAT BRUSHES	(5 pcs./1pk.)
3	W2COM6163	BRUSHES	(5 pcs./1pk.)
4	W2COM6125	BIG SURFACE BRUSHES	(3 pcs./1pk.)
5	W2COM6126	BIG TWISTED BRUSHES ø 15mm	(5 pcs./1pk.)
6	W2COM6162	TWISTED BRUSHES ø 10mm	(5 pcs./1pk.)
7	W2COM6161	TWISTED BRUSHES ø 5mm	(5 pcs./1pk.)
8	W2COM6127	TINY TWISTED BRUSHES ø 3mm	(4 pcs./1pk.)
9	W2COM6128	VERY TINY TWISTED BRUSHES	(4 pcs./1pk.)
10	W2COM6164	CLEANING NEEDLES	(12 pcs./1pk.)
11	930171A0	UNIVERSAL SPANNER	
12	W2COM6129	SPANNER FOR LOCK ADJ. & NEEDLE PACKING	
13	03506480K	ALLEN WRENCH for Supernova series	(3 pcs./1pk.)
14	93280881	SPANNER for LPH-80/RG-3L	
15	W2COM6165	PREMIER MAINTENANCE GREASE (20 ml)	
16	13908061	AG-6 AIR DUSTER GUN	

The bristles of all brushes are resistant to solvents and paint thinner and they are ideal to clean all types of spray guns.

MANUAL WASHING

KUIK MINI GUN WASHER

FEATURES

Kuik mini gun washer is a small, compact and unique water and solvent gun washer machine which is possible to be used inside or outside the spray booth and it is easy to be transported. The gun washer has separate nozzles for internal and external cleaning of the spray gun. It is possible to pre-clean with dirty water or solvent and to do the final wash with clean water or solvent. The gun washer has an aspiration system to avoid that residual gasses remain trapped. An air blow gun is included.

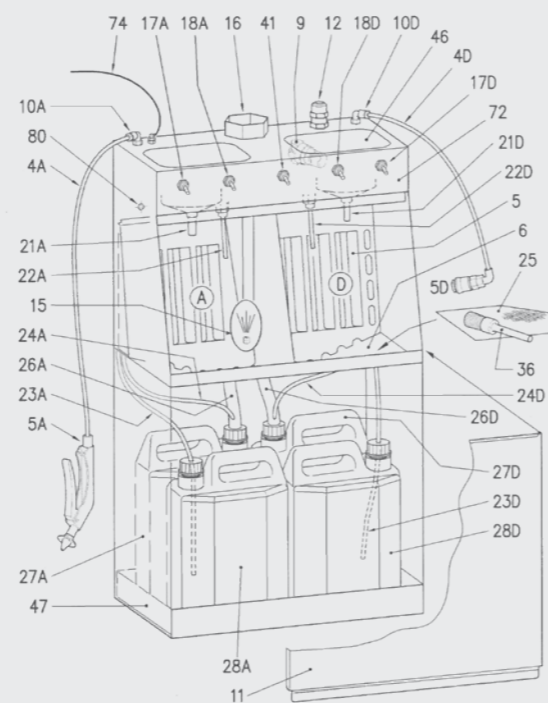
TECHNICAL DATA	
OPERATING PRESSURE	8 bar
TANK CAPACITY	5 lt
DIMENSIONS	450x250x840 mm
MASS	15 kg

ORDER INFORMATION

CODE	DESCRIPTION	REF.
IWK-KUIK	KUIK MINI GUN WASHER MANUAL	
10200135-4A	BLOWING GUN SUPPLY AIR HOSE + JOINT	4A
10200135-4D	LOW PRESSURE SUPPLY AIR HOSE (FOR SPRAY GUN) + JOINT	4D
10200135-5A	BLOWING GUN + JOINT	5A
10200135-5D	QUICK JOINT GUN CONNECTION	5D
10200135-9	INNER PRESSURE REGULATOR	9
10200135-11	LOWER DOOR	11
10200135-12	AIR INLET FITTING WITH FILTER	12
10200135-15	VAPOUR SUCTION NOZZLE	15
10200135-17A	CONTROL VENTURI PUMP SWITCH (DIRTY WATER)	17A
10200135-17D	CONTROL VENTURI PUMP SWITCH (DIRTY SOLVENT)	17D
10200135-18A	CONTROL ATOMIZER SWITCH (CLEAN WATER)	18A
10200135-18D	CONTROL ATOMIZER SWITCH (CLEAN SOLVENT)	18D
10200135-21A	VENTURI PUMP (DIRTY WATER AND DETERGENT)	21A
10200135-21D	VENTURI PUMP (DIRTY SOLVENT)	21D
10200135-22A	NEBULIZER (CLEAN WATER AND DETERGENT)	22A
10200135-22D	NEBULIZER (CLEAN SOLVENT)	22D
10200135-23A	NEBULIZER SUPPLY HOSE ZONE A	23A
10200135-23D	NEBULIZER SUPPLY HOSE ZONE D	23D
10200135-24A	VENTURI PUMP SUPPLY HOSE ZONE A	24A
10200135-24D	VENTURI PUMP SUPPLY HOSE ZONE D	24D
10200135-25	WORKTOP GRILLE	25
10200135-26A	DRAIN HOSE ZONE A	26A
10200135-26D	DRAIN HOSE ZONE D	26D
10200135-27A	TANK OF DIRTY WATER AND DETERGENT	27A
10200135-27D	TANK OF DIRTY SOLVENT	27D
10200135-28A	TANK OF CLEAN WATER AND DETERGENT	28A
10200135-28D	TANK OF CLEAN SOLVENT	28D
10200135-36	WASHING BRUSH	36
10200135-41	CONTROL SWITCH VAPOURS SUCTION	41
10200135-72	CONTROL PANEL LABEL	72
1020H2HRE5	AQUAREVIVE DETERGENT 5 lt.	



Detergent AQUA revive
About 0,5 to 1,5 lt per 10 lt. of water



MANUAL WASHING

IWK-H2O GUN WASHER

FEATURES

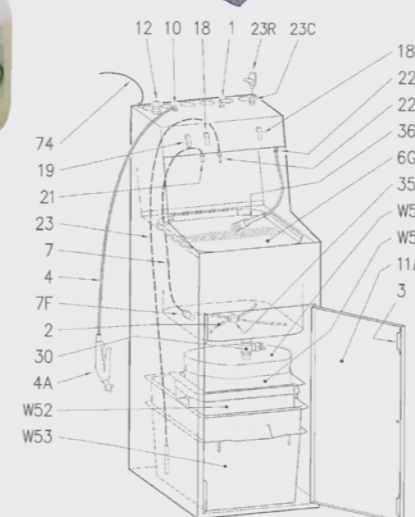
IWK H2O FOR WATER BASED PAINT ONLY: a small and cost-effective pneumatically operated machine for manually washing water-based paint from spray guns and small objects. The instruments, located on the front section, make it easy to use. The spray-washer is fitted with a small pump and sprayer which draws clean water from a container located at the bottom of the machine and a second sprayer for final washing which is connected to the company's water supply. A blowing gun then cleans and dries the guns and washed pieces.

TECHNICAL DATA	
OPERATING PRESSURE	6-10 bar
TANK CAPACITY	50 lt. (Stainless Steel)
TANK CAPACITY	70 lt. (lower tank)
DIMENSIONS	450x660x1335 mm
MASS	44 kg

SEPARATING THE PAINT FROM THE WATER: the stainless steel washing tank has an internal system that mixes the dirty water with flocculating powder. The water and coagulated colour deposit are then discharged by a valve in the filter bag kit, where solid particles are separated from the water particles. The filtered water can be re-used for washing.



Detergent AQUA revive
About 0,5 to 1,5 lt per 10 lt. of water



ORDER INFORMATION

CODE	DESCRIPTION	REF.
10200081	IWK H2O SPRAY GUN WASHER MANUAL	
1020IWKH21	FLOW REGULATOR	1
1020IWKH23	DOOR MAGNET	3
1020IWKH24	AIR FEED HOSE	4
1020IWKH24A	BLOWING GUN	4A
1020IWKH26G	GRILLE	6C
1020IWKH224	PUMP SUPPLY HOSE	7
1020IWKH2H7F	PUMP SUPPLY FILTER	7F
1020IWKH211A	LOWER DOOR	11A
1020IWKH212	AIR INLET FITTING WITH FILTER	12
1020IWKH218K	CONTROL PANEL KIT WITH LEVER	18
1020IWKH218C	CONTROL VALVE KIT WITH LEVER	18C
1020IWKH218CL	ONLY CONTROL LEVER	18CL
1020IWKH221	PUMP	21
1020IWKH222	NEBULISER	22
1020IWKH222C	SPRAY NOZZLE	22C
1020IWKH223	NEBULISER SUPPLY HOSE	23
1020S3723R	WATER FLOW CONTROL VALVE	23R
1020IWKH230	DRAIN VALVE	30
1020IWKH235	AIR DIFFUSER	35
1020IWKH36	WASHING BRUSH	36
1020IWKH237	CONNECTION HOSE FOR WASHING BRUSH	37
1020IWKH2W50B	BAG PRE-FILTERS KIT (5 pcs./1pk.)	W50
1020IWKH2W51B	BAG FILTER	W51
1020IWKW52	CONTAINER (FILTERING +DECANTATION)	W52
1020IWKW53	CONTAINER (for REGENERATED WATER)	W53
1020S37T	SPRAY GUN NOZZLE	T
1020H2HRE5	AQUAREVIVE DETERGENT 5 lt.	

MANUAL & AUTOMATIC GUN WASHERS

INOX LINE SOL (SLD)

Manual & Automatic Washing

FEATURES

- Stainless steel Electroclean body and tank
- Automatic wash with clean solvent rinse
- Test booth and Venturi exhaust system
- Drying gun
- Possible to connect with a distiller



ORDER INFORMATION

CODE	DESCRIPTION
10200532	INOX LINE SLD MANUAL & AUTOMATIC GUN WASHER

TECHNICAL DATA	
MASS	63 kg
OPERATING PRESSURE	6~10 bar
DIMENSIONS	600x700x1490 mm
EACH SINGLE TANK CPTY	25 lt.
NO OF GUNS WASHED PER CYCLE	2

INOX LINE SOL (SLD+ILD)

Gun Washer & Distiller

FEATURES

- Totally pneumatic
- Safety valve stops washer if wash chamber lid is opened during operation
- Stainless Steel Electroclean Body and Tank
- Automatic wash with clean solvent rinse
- Test booth and Venturi exhaust system
- Drying gun



ORDER INFORMATION

CODE	DESCRIPTION
10205322	INOX LINE GUN WASHER SLD with DISTILLER ILD

TECHNICAL DATA	
MASS	180 kg
OPERATING TEMPERATURE	180 to 220°C
DIMENSIONS	730x1270x1390 mm
CPTY	12 lt
CYCLE TIME	3 ÷ 4.30 hrs
PROTECTION LEVEL	EEX od IIB
TEMPERATURE LEVEL	T2
POWER RATING	1,04 Kw

INOX LINE IWK SLB & IWK SLC



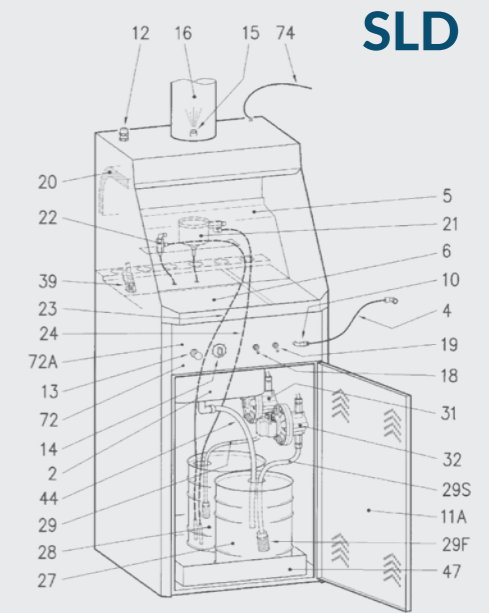
ORDER INFORMATION

CODE	DESCRIPTION
10200125	IWK SLB GUN WASHER without AUTOMATIC FINAL CLEANING
10200120	IWK SLC GUN WASHER with AUTOMATIC FINAL CLEANING

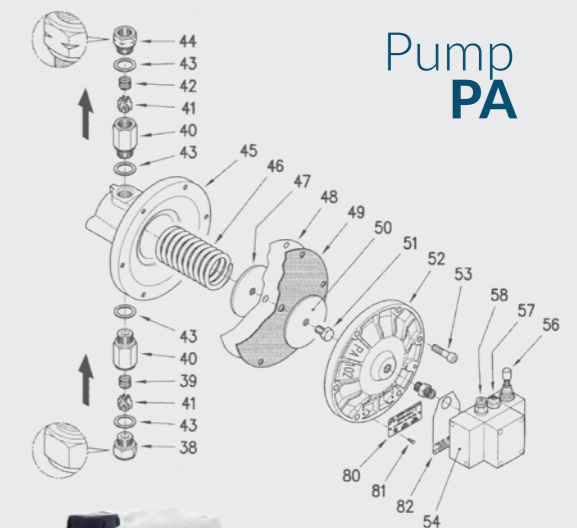
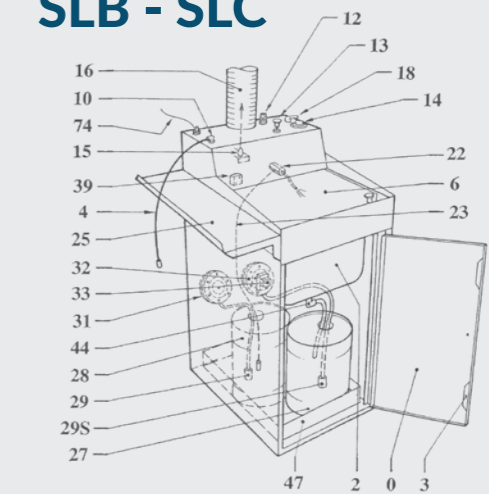
TECHNICAL DATA	
MASS	42 kg
OPERATING TEMPERATURE	6~10 bar
DIMENSIONS	600x700x1100 mm
EACH SINGLE TANK CPTY	25 lt.

SPARE PARTS

CODE	DESCRIPTION	REF.	SLB/C	SLD
1020S32189	FILTER CARTRIDGE ACTIVE CARBON			
1020S0L0	LOWER DOOR	0	X	
1020S0L3	DOOR MAGNET	3	X	
1020S324	AIR FEED HOSE	4		X
1020S0L4	AIR FEED HOSE	4	X	
1020S325	VAPOUR AND AIR CONVEYOR	5		X
1020S3211A	LOWER DOOR	11A		X
1020S3212	AIR INLET FITTING WITH FILTER	12		X
1020S0L12	AIR INLET FITTING WITH FILTER	12	X	
1020S3213	PUSH-BUTTON	13		X
10200219	PUSH-BUTTON	13	X	
1020S3214	TIMER	14		X
1020S0L14	TIMER	14	X	
1020S3215	VAPOUR SUCTION NOZZLE	15		X
1020S0L15	VAPOUR SUCTION NOZZLE	15	X	
1020S3216	VAPOUR EXHAUST PIPE	16		X
1020S0L16	VAPOUR EXHAUST PIPE	16	X	
1020S3218	ATOMIZER CONTROL VALVE	18		X
1020S0L18BK	ATOMIZER CONTROL VALVE	18	X	
1020S0L18L	LEVER	18	X	
1020S3219	CONTROL VALVE PUMP	19		X
1020S3220	DRY FILTER	20		X
1020S3721	PUMP	21		X
1020S3722	NEBULIZER	22	X	X
1020S3223	NEBULIZER SUPPLY HOSE	23		X
1020S0L23	NEBULIZER SUPPLY HOSE	23	X	
1020S3224	PUMP SUPPLY HOSE	24		X
1020S0L25	WORK SURFACE	25	X	
1020S3229	HOSE (CLEAN SOLVENT)	29		X
1020S0L29	HOSE (CLEAN SOLVENT)	29	X	
1020S0L29D	FILTER(CLEAN SOLVENT)	29D		X
1020S0L29F	FILTER (USED DETERGENT)	29F		X
1020S3229F	FILTER (USED DETERGENT)	29F		X
1020S3229S	HOSE (USED DETERGENT)	29S		X
1020S0L29S	HOSE (USED DETERGENT)	29S	X	
1020S0L29F2	FILTER	29S	X	
1020S3231	CLEAN DETERGENT PUMP	31		X
1020S0L31	CLEAN SOLVENT PUMP	31	X	
1020S3232	USED DETERGENT PUMP	32		X
1020S0L32	AUTOMATIC WASHER PUMP	32	X	
1020PA38K	COMPLETE INLET VALVE KIT	38-38A-39-40-41-43	X	X
1020S3239	SAFETY VALVE	39		X
1020S0L39	SAFETY VALVE	39	X	
1020PA44K	COMPLETE OUTLET VALVE KIT	40-41-42-43-44	X	X
1020S3244	DRAIN HOSE	44		X
1020S0L44	DRAIN HOSE	44	X	
1020S3247	COLLECTING TANK	47		X
1020S0L47	COLLECTING TANK	47	X	
1020PA48K	COMPLETE DIAPHRAGM KIT	47-48-49-50-51	X	X
1020PA54K	PNEUMATIC VALVE COMPLETE	54-56-57-58	X	X
1020S3272	CONTROL PANEL ADHESIVE	72		X
1020S3274	EARTH WIRE	74		X
1020S0LD	DRILLED SCREW	D	X	
1020S0LF	CUP SUPPORT	F	X	
1020S32H	WASHING SUPPORT	H		X
1020S0LH	WASHING SUPPORT	H	X	
1020S0LL1	INTERNAL SPRAYER	L/L1	X	
1020S32M	ALUMINIUM HOSE KIT	M		X
1020S0LM	BRASS HOSE KIT	M	X	
1020S32M1	CAPSTAN SCREW	M1		X
1020S32M2	CROSSPIECE JOINT	M2		X
1020S0LN	PROTECTION PLUG	N	X	
1020PA46	STAINLESS STEEL SPRING	PA46	X	X
1020PA57	DISCHARGE SILENCER	PA57	X	X
1020PA58	AIR INLET FITTING	PA58	X	X
1020S32PQ	SPECIAL CLAMP	PQ		X
1020S0LPQ	SPECIAL CLAMP	PQ	X	
1020S32R	NET KNOB IN ALUMINIUM	R		X
1020S32T	NOZZLE	T		X
1020S0LT	NOZZLE	T	X	
1020S32U	ALUMINIUM NET	U		X
1020S32V	SPRAY NOZZLE	V		X
1020S32Z	INTERNAL SPRAY NOZZLE	Z		X
1020S0LZ	JET FOR SUCTION GUNS	Z	X	
1020H2HRES	AQUAREVIVE DETERGENT 5 lt.			



SLB - SLC



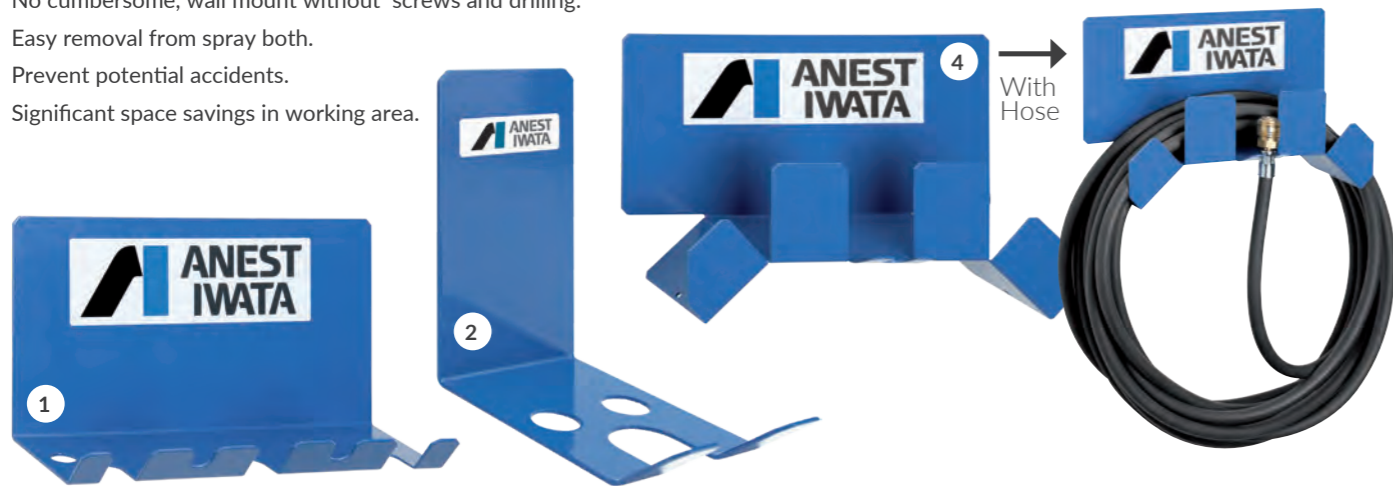
Detergent
AQUA revive
About 0,5 to 1,5 lt per 10 lt. of water

MAGNETIC SUPPORT & GUN HOLDERS

MAG STAND - Magnetic Support

FEATURES

- Practical for every bodyshop, fast, flexible and reliable adhesion on all metal surfaces thanks to an extra-strong all-surface magnet.
- Hold up to 20 kg (each holder, measured on a clean metal surface).
- No cumbersome, wall mount without screws and drilling.
- Easy removal from spray booth.
- Prevent potential accidents.
- Significant space savings in working area.



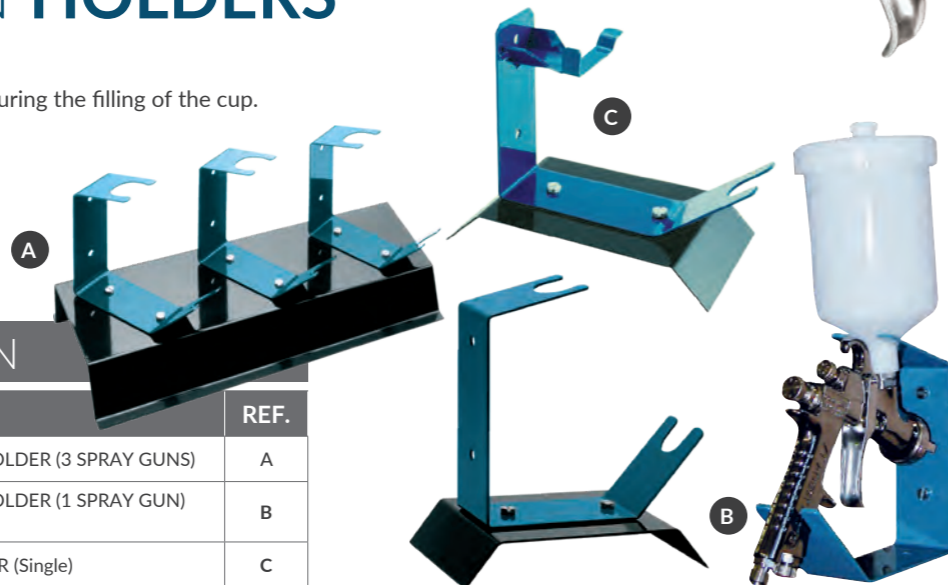
ORDER INFORMATION

CODE	DESCRIPTION	REF.
W2COM6052	MAGNETIC SPRAY GUN HOLDER (for 3 Spray Guns)	1
W2COM6120	MAGNETIC SPRAY GUN HOLDER (1 Single Spray Gun)	2
W2COM6093	MAGNETIC ADAPTOR HOLDER (for PPS-RPS Adaptors)	3
W2COM6094	MAGNETIC AIR HOSE HOLDER (Max. Hose length 20 m)	4

GRAVITY GUN HOLDERS

FEATURES

- Suitable to hold Gravity Guns after use or during the filling of the cup.
- Available in 3 versions with base:
 - Single Central Gravity (wall mountable)
 - Multiple Central Gravity (3 places)
 - Single Side Gravity.



ORDER INFORMATION

CODE	DESCRIPTION	REF.
W2501000500	CENTRAL GRAVITY GUN HOLDER (3 SPRAY GUNS)	A
W2501000100	CENTRAL GRAVITY GUN HOLDER (1 SPRAY GUN) WALL MOUNTABLE	B
W2501000600	SIDE GRAVITY GUN HOLDER (Single)	C

MAGNETIC SPRAY TESTER

FEATURES

- Test the spray pattern with the portable magnetic Anest Iwata spray pattern tester and compare regularly compliant tabulated and efficiently the quality of the spray images.
- Portable spray pattern tester for regular monitoring of the spray pattern quality
- Fast, flexible and reliable adhesion of the spray pattern tester on all metallic surfaces thanks to an extra-strong full-surface magnet.
- Easy wall mounting: no drilling, no screws.
- Spray pattern tester lid opens downward for more freedom in the spray pattern test
- Perfect horizontal alignment by an integrated vial in the spray ruler.
- Dimensions: 46 cm (B) x 75 cm (H) x 5 cm (T)



MAGNETIC SPRAY TESTER

ORDER INFORMATION

CODE	DESCRIPTION
W2COM6118EN	MAGNETIC SPRAY TESTER (COMPLETE SET)
W2KIT51	PAPER BLOCKS (2 Blocks of 30 Sheets)
W2COM6151	LEVEL VIAL
W2COM6153	SPRAY RULER



HOW TO USE



with **SPRAY RULER & LEVEL VIAL**

AIR FILTER REGULATORS 1/2"

SINGLE-STAGE

FEATURES

- 1 Inlet ball valve 1/2"F (allows removal of filter cartridge without stop compressor operation).
- 1 Filter Regulator: from 0 to 8.5 bar.
- Filtration rating 5µ.
- 1 Pressure Gauge: from 0 to 10 bar.
- 1 Semi-automatic drain valve (to prevent decompression during application).
- 2 Outlet ball valves 1/4"M, with stop valve.
- 1 Wall bracket with 2 mounting holes.
- Filter body and bowl treated with anti-corrosion coated.
- Max. flow rate: 2800 l/min.



1/2" SINGLE-STAGE

ORDER INFORMATION

CODE	DESCRIPTION
09250112	AIR FILTER REGULATOR 1/2"F - SINGLE-STAGE 5µ NM
09250041	FILTRATION CARTRIDGE 5µ NM

DOUBLE-STAGE

FEATURES

- 1 Inlet ball valve 1/2"F (allows removal of filter cartridge without stop compressor operation).
- 1 Filter 3 µ: filtration efficiency 99% with semi-automatic drain valve.
- 1 Air Regulator from 0 to 8.5 bar with pressure gauge from 0 to 10 bar.
- 1 Coalescence filter 0,01 µ: filtration efficiency 99,99% with semi-automatic drain valve.
- 1 Outlet ball valves 1/4"M, with stop valve.
- 1 Outlet quick joint F.
- 1 Wall bracket with 4 mounting holes.
- 1 Saturation indicator.
- Filter body and bowl treated with anti-corrosion coated.
- Usable with 2 or 3 spray guns.
- Max. flow rate: 1000 l/min.



1/2" DOUBLE-STAGE

ORDER INFORMATION

CODE	DESCRIPTION
09250222	AIR FILTER REGULATOR 1/2"F - DOUBLE-STAGE
09250051	FILTRATION CARTRIDGE 3 µ NM
09250052	FILTRATION CARTRIDGE 0,01 µ NM

TRI-STAGE

FEATURES

- 1 Inlet ball valve 1/2"F (allows removal of filter cartridge without stop compressor operation).
- 1 Filter 3 µ: filtration efficiency 99% with semi-automatic drain valve.
- 1 Air Regulator from 0 to 8.5 bar with pressure gauge from 0 to 10 bar.
- 1 Coalescence filter 0,01 µ: filtration efficiency 99,99% with semi-automatic drain valve.
- Active carbon filter with separation degree <3.5 particles 0,3µ/l air.
- 1 Outlet ball valves 1/4"M, with stop valve.
- 1 Outlet quick joint F.
- 1 Wall bracket with 4 mounting holes.
- 1 Saturation indicator.
- Filter body and bowl treated with anti-corrosion coated.
- Usable with 2 or 3 spray guns.
- Max. flow rate: 1000 l/min.



1/2" TRI-STAGE

ORDER INFORMATION

CODE	DESCRIPTION
09250232	AIR FILTER REGULATOR 1/2"F - TRI-STAGE
09250051	FILTRATION CARTRIDGE 3 µ NM
09250052	FILTRATION CARTRIDGE 0,01 µ NM
09250053	ACTIVE CARBON FILTER

CONDUCTIVE AIR/FLUID HOSES & COUPLINGS

PREMIUM ANTISTATIC AIR HOSE

FEATURES

- High Quality ANTISTATIC AIR HOSE with high-strength synthetic textile braid. Available in 3 different lengths | 6 m - 10 m - 15 m
- Clamped with fittings and safety quick coupling: air hose is vented in a first step and can then be safely disconnected in the second step
- Very light, flexible in itself, noticeably handier
- Quick coupling (NW 7.2) and nipple in Nickel Plated Brass
- Conductivity: R<MOhm EN1953
- Inner diameter ø 9 mm, outer diameter ø 15 mm
- Max. operating pressure 15 bar
- Weight with standard length of 10 m: 1,5 kg



ORDER INFORMATION

CODE	DESCRIPTION
00600916P	PREMIUM ANTISTATIC AIR HOSE (6 mt)
001000916P	PREMIUM ANTISTATIC AIR HOSE (10 mt)
001500916P	PREMIUM ANTISTATIC AIR HOSE (15 mt)

CONDUCTIVE TWIN HOSES



ORDER INFORMATION

CODE	DESCRIPTION	MT		CONNECTION
001004020	CONDUCTIVE TWIN HOSE	2	Air / Fluid	1/4"-1/4"
001004050	CONDUCTIVE TWIN HOSE	5	Air / Fluid	1/4"-1/4"
001004075	CONDUCTIVE TWIN HOSE	7.5	Air / Fluid	1/4"-1/4"
001004100	CONDUCTIVE TWIN HOSE	10	Air / Fluid	1/4"-1/4"
001004150	CONDUCTIVE TWIN HOSE	15	Air / Fluid	1/4"-1/4"

QUICK COUPLINGS

AIR HOSE FITTING JOINTS
FR o DE



AIR HOSE "L" SWIVEL JOINT



PIVOT QUICK COUPLINGS



AIR HOSE FITTING CONNECTORS



ORDER INFORMATION

CODE	DESCRIPTION	QTY
W2KIT41	AIR HOSE FITTING JOINT (FR - small hole)	(5 pz./1pk.)
W2KIT40	AIR HOSE FITTING JOINT (DE - big hole)	(5 pz./1pk.)
14375800	AIR HOSE "L" SWIVEL JOINT	-
VGRSWF	PIVOT QUICK COUPLING 1/4" F	
VGRSWM	PIVOT QUICK COUPLING 1/4" M	
VL-RUB-F	AIR HOSE FITTING EURO CONNECTOR F 3/8"	
VL-RUB-M	AIR HOSE FITTING EURO CONNECTOR M 3/8"	

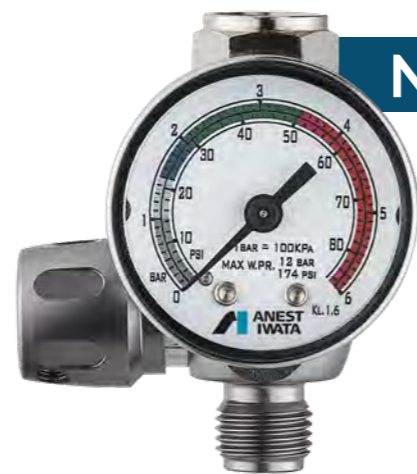
PRESSURE GAUGES

HVC AIR PRESSURE REGULATOR

HVC is a pressure regulator with manometer ideal precise and stable air pressure setting and for effortless setting control. Perfect for guns without digital readout and valid in ensuring optimal atomization even with HVLP technology. Clear number markings for convenient and easy reading with double reading scale in bar and PSI.

FEATURES

- Air Pressure Gauge/Regulator
- Joints G1/4"
- Anodized aluminium body
- Chrome plated steel gauge case
- Glass clock face
- Metal needle
- Control range 0-6 bar (Pressure resistant up to 12 bar)



NEW

ORDER INFORMATION

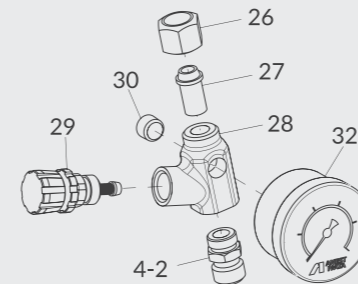
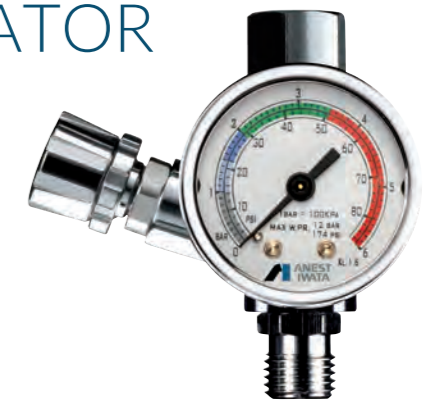
CODE	DESCRIPTION
150003A0	HVC AIR PRESSURE REGULATOR

PRESSURE GAUGES

AFV-1 AIR PRESSURE REGULATOR

FEATURES

- Air Pressure Gauge/Regulator
- Joints G1/4"
- Chrome plated brass body
- Chrome plated gauge case
- Control range 0-6 bar (Pressure resistant up to 12 bar)



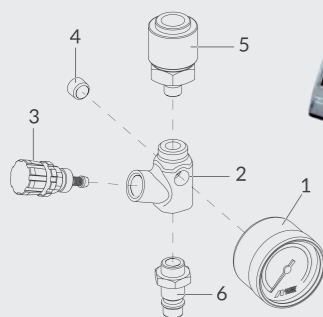
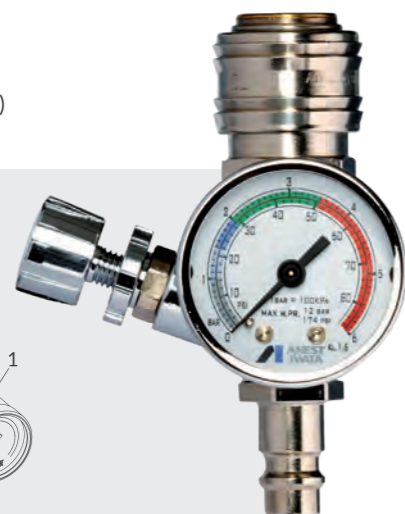
ORDER INFORMATION

CODE	DESCRIPTION	REF.
14378610	AFV-1 AIR PRESSURE REGULATOR	
94017021	CAP NUT	26
94006220	JOINT SEAT	27
94006231	BODY	28
94006240	AIR REGULATOR VALVE SET	29
96990425	PLUG	30
W3COM6065	PRESSURE GAUGE	32

AFV-2 AIR PRESSURE REGULATOR

FEATURES

- Air Pressure Gauge/Regulator
- Quick Joints EU Standard
- Chrome plated brass body
- Chrome plated gauge case
- Control range 0-6 bar (Pressure resistant up to 12 bar)



ORDER INFORMATION

CODE	DESCRIPTION	REF.
14378630	AFV-2 AIR PRESSURE REGULATOR	
W3COM6065	PRESSURE GAUGE	1
94006231	BODY	2
94006240	AIR REGULATOR VALVE SET	3
96990425	PLUG	4
04006190	QUICK JOINT FEMALE (EU - Standard)	5
04006180	QUICK JOINT MALE (EU - Standard)	6

IMPACT CONTROLLER²

FEATURES

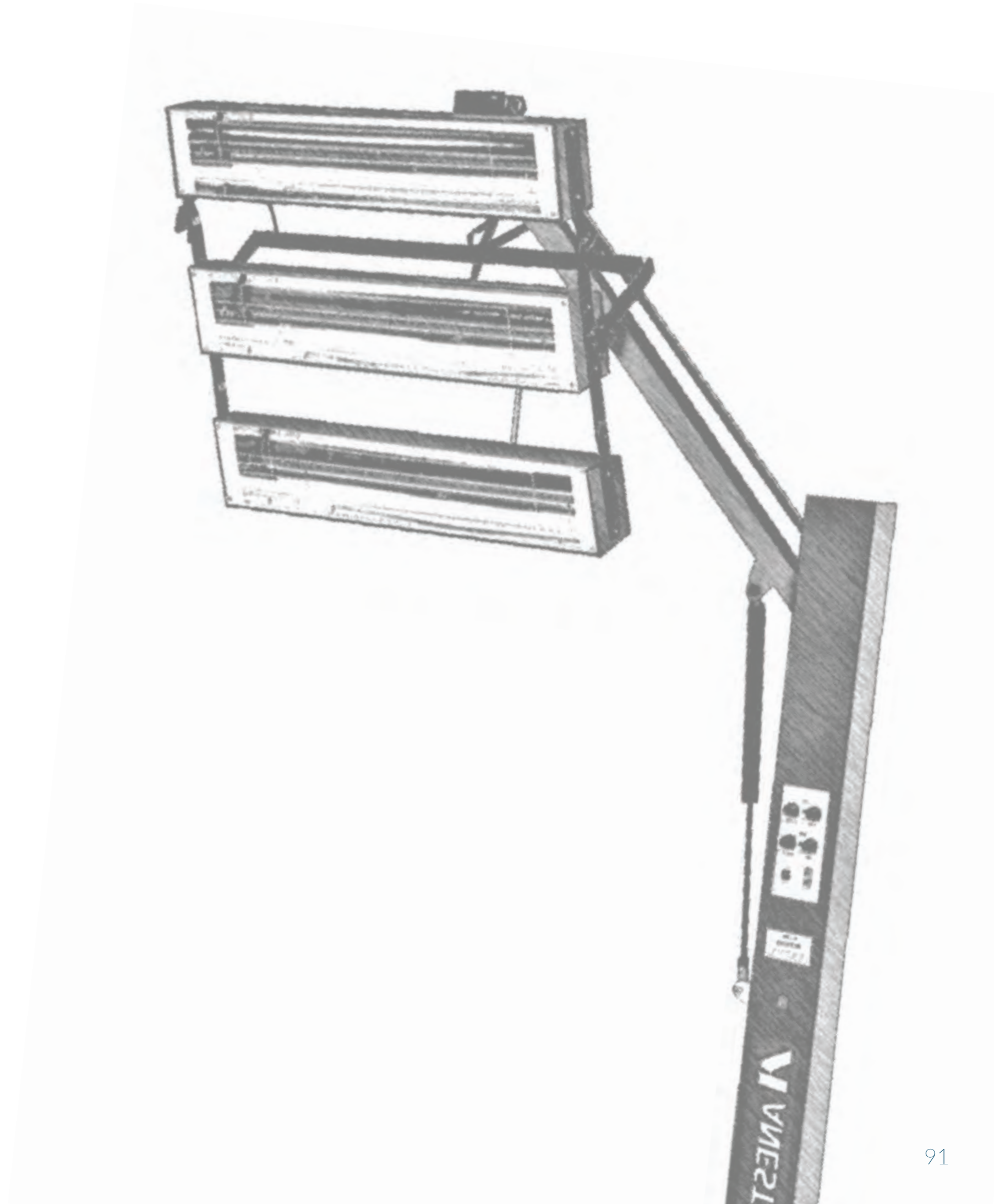
- Air Pressure Gauge/Regulator
- Joints G1/4"
- Chrome plated aluminium body
- Steel gauge case
- Control range 0-10 bar



ORDER INFORMATION

CODE	DESCRIPTION
W2012920700	IMPACT CONTROLLER2 - AIR PRESSURE REGULATOR

DRYING SYSTEM



INFRARED UNIT

FEATURES

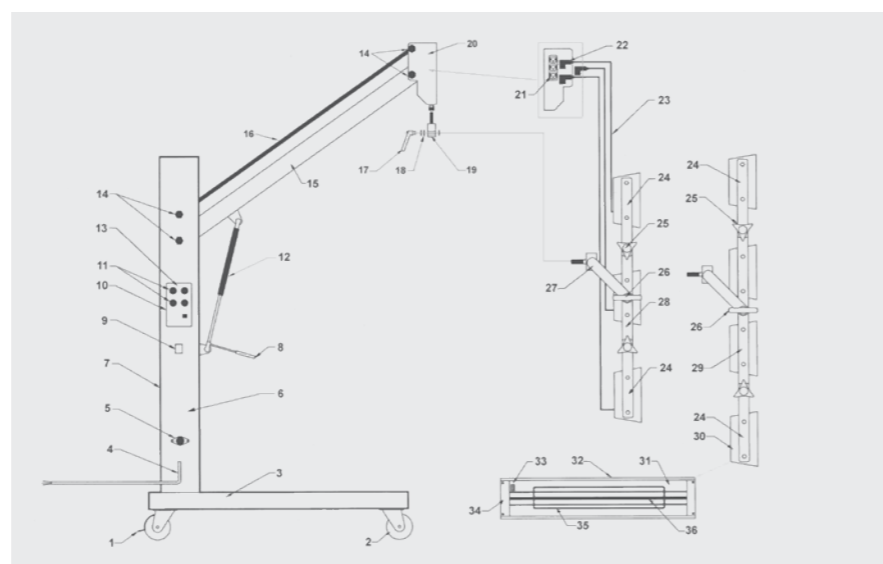
The use of short wave infrared technology enables body fillers, primers and paints to be cured in 10 minutes as opposed to 45 minutes in an oven. Anest Iwata infrared mobile drying systems provide a fast efficient answer for all your local body repairs. Infrared units are a cost effective method of paint drying, and curing can be achieved in just minutes, using the highly effective short wave infrared lamp. Anest Iwata infrared units are available in a number of options.



**SERIES
1 Kw**

ORDER INFORMATION

CODE	DESCRIPTION
HEAT T.E.C. 1000 (1 Kw Series)	
VIU100000	HAND HELD MODEL
VIU100010	HAND HELD MODEL WITH SEPARATE STAND
VIU100010T	HAND HELD MODEL WITH SEPARATE STAND + TIMER
VIU100020	2 HAND HELD MODEL WITH ONE STAND
VIU100020T	2 HAND HELD MODEL WITH SEPARATE STAND + TIMER
HEAT T.E.C. 3000 (3 Kw Series) Coverage Area 800x1000 mm	
VIU100030	MOBILE INFRARED UNIT
VIU100030DSTS	MOBILE INFRARED UNIT + DISTANCE & TEMPERATURE SENSOR
HEAT T.E.C. 4000 (4 Kw Series) Coverage Area 800x1300 mm	
VIU100040	MOBILE INFRARED UNIT
VIU100040DSTS	MOBILE INFRARED UNIT + DISTANCE & TEMPERATURE SENSOR
HEAT T.E.C. 4500 (4.5 Kw Series) Coverage Area 1250x1000 mm	
VIU100045	MOBILE INFRARED UNIT
VIU100045DSTS	MOBILE INFRARED UNIT + DISTANCE & TEMPERATURE SENSOR
VIU300045	MOBILE INFRARED UNIT (THREE-PHASE)
VIU300045DSTS	MOBILE INFRARED UNIT + DISTANCE & TEMPERATURE SENSOR
HEAT T.E.C. 6000 (6 Kw Series) Coverage Area 2000x1000 mm	
VIU100060	MOBILE INFRARED UNIT
VIU100060DSTS	MOBILE INFRARED UNIT + DISTANCE & TEMPERATURE SENSOR
VIU100060DSTS	MOBILE INFRARED UNIT (THREE-PHASE)
VIU300060DSTS	MOBILE INFRARED UNIT + DISTANCE & TEMPERATURE SENSOR



REF.	CODE	DESCRIPTION	220/240 Volt				380/415 Volt	
			3 KW	4 KW	4.5 KW	6 KW	4.5 KW	6 KW
1	VIU991594	CASTOR WITH BRAKE	2	2	2	2	2	2
2	VIU991595	CASTOR WITHOUT BRAKE	2	2	2	2	2	2
3	VIU410010B	U BASE (NO CASTORS)	1	1	1	1	1	1
4	VIU40001L	MAIN CABLE WITHOUT PLUG (240V 3KW/4KW/4.5KW)	1	1	1			
4	VIU60001L	MAIN CABLE WITHOUT PLUG (240V 6KW)				1		
4	VIU630001L	MAIN CABLE WITHOUT PLUG 3 PHASE					1	1
5	VIU363741	TRIAC POWER CONTROL	1	1	1	1	3	3
6	VIU410042	FRONT PANEL METAL COVER ONLY	1	1	1	1	1	1
7	VIU410100B	MAIN UPRIGHT (METAL PART ONLY)	1	1	1	1	1	1
8	VIUGSL	GAS STRUT LEVER	1	1	1	1	1	1
9	VIU41059EUR	MAIN SWITCH 3/4/4.5 KW SINGLE PHASE	1	1	1			
9	VIU311-5256	MAIN SWITCH 6 KW SINGLE PHASE WITHOUT KNOB				1		
9	VIU350-0840	KNOB FOR 6KW SWITCH					1	1
9	VIU332-155	MAIN SWITCH 6KW 3 PHASE				1		
10	VIUHLPPCB-DS	DISTANCE CIRCUIT BOARD MODELS 220/240V	1	1	1	1		
10	VIUHLPPCBXL	TEMP. + DISTANCE CIRCUIT BOARD MODELS 240V	1	1	1	1		
10	VIUHLPPCBXL-P	TEMP. + DISTANCE HEAD CIRCUIT BOARD ALL MODELS	1	1	1	1	1	1
10	VIUHLPPCB	CIRCUIT BOARD SINGLE PHASE	1	1	1	1		
10	VIUHLPPCB-3	CIRCUIT BOARD THREE PHASE					1	1
11	VIU320295	BLACK KNOB FOR CONTROL CIRCUIT BOARD	4	4	4	4	4	4
12	VIUGS	GAS STRUT ONLY 3/4/4.5 KW (WITHOUT LEVER)	1	1	1			
12	VIUGSA	GAS STRUT ONLY 6 KW (WITHOUT LEVER)				1		1
13	VIU410051B	CONTROL PANEL LABEL AI	1	1	1	1	1	1
14	VIU009NC	NUT CAP M12	8	8	8	8	8	8
15	VIU410099B	TOP SUPPORT ARM	1	1	1	1	1	1
16	VIU410098	TOP TIE BAR (ALL MODELS)	1	1	1	1	1	1
17	VIU410078	RATCHET HANDLE	1	1	1	1	1	1
18	VIUM12WSET	WASHERS FOR CASSETTE SUPPORT LOCKING HANDLE	1	1	1	1	1	1
19	VIU410017	SWIVEL BLOCK	1	1	1	1	1	1
20	VIU410018	HEAD	1	1	1	1	1	1
21	VIU410020	QUAD BLOCK SOCKET SINGLE PHASE MODELS	1	1	1	1		
21	VIU23-0117	QUAD BLOCK SOCKET 3 PHASE MODELS					3	3
22	VIU410061	KETTLE PLUG	3	4	3	3	3	3
23	VIU10005	CASSETTE CABLE ASSEMBLY C/W PLUG	3	4	3	3	3	3
24	VIU410076	UNIVERSAL OUTER STRAP	4	4	4	4	4	4
25	VIU410077	TRI KNOB	4	4	4	4	4	4
26	VIU411200	T KNOB	2	2	2	2	2	2
27	VIU410080	OVERHEAD CASSETTE SUPPORT ARM 3KW/4KW	1	1				
27	VIU450012	OVERHEAD CASSETTE SUPPORT ARM 4.5KW				1		1
27	VIU410073	OVERHEAD CASSETTE SUPPORT ARM 6KW					1	
28	VIU410075	CENTRE STRAP 3 HEAD	2		2	2	2	2
29	VIU410003	CENTRE STRAP 4 HEAD		2				
30	VIU410074B	BLUE CASSETTE BOX ONLY 3/4/6KW (EMPTY)	3	4		6		6
30	VIU450011B	BLUE CASSETTE BOX ONLY 4.5 KW (EMPTY)			3		3	
31	VIU410071	BACK REFLECTOR 3/4/6 KW	3	4		6		6
31	VIU450016	BACK REFLECTOR 4.5 KW			3		3	
32	VIUHLP34CSAA	CASSETTE ASSEMBLY COMPLETE (NO LAMP) 3/4 KW	3	4				
32	VIUHLP4500CAA	CASSETTE ASSEMBLY COMPLETE (NO LAMP) 4.5 KW			3		3	
33	VIU410081	CASSETTE ON/OFF SWITCH	3	4	3	6	3	6
34	VIU420070	END REFLECTOR	6	8	6	12	6	12
35	VIU410069	CASSETTE GUARD 3/4/6 KW	3	4		6		6
35	VIU450013	CASSETTE GUARD 4.5 KW			3		3	
	VIU900300	1KW TUBE 300 MM 220/240 VOLT						
36	VIU900500	1KW TUBE 500 MM 220/240 VOLT	3	4		6		6
36	VIU900750	1.5KW TUBE 750 MM 220/240 VOLT			3		3	
	VIU101	HAND HELD STAND WITH SLIDER BRACKET						
	VIU103	TIMER ONLY FOR STAND MOUNTED						
	VIU104	PLUG FOR STAND MOUNTED TIMER (EACH)						
	VIU404	CONTROL BOARD FOR DISTANCE SENSOR MODELS						
	VIU406	DIGITAL READ OUT PANEL FOR DISTANCE SENSOR						
	VIU408	DIGITAL SENSOR UNIT						
	VIU410014	BOLT FOR CASTOR M10						
	VIU410015	NUT FOR CASTOR M10						
	VIU410016	LOCKING WASHER FOR CASTOR M10						
	VIUFS500M	FUSE 500 MA						
	VIU102	SLIDER BRACKET FOR HAND HELD						
	VIUHAN1	HANDLE FOR HAND HELD						
	VIUGRP1	GRIP FOR HAND HELD MODEL						
	VIU10001	HAND HELD CABLE WITHOUT PLUG						



ADG-1B AQUADRY PAINT DRYER GUN

AQUADRY KIT IS A VERSATILE SYSTEM TO SPEED UP THE DRYING PROCESS OF WATER BASED COATINGS

Its exclusive configuration provides an extremely uniform air flow system, which considerably reduces the drying time of the painted surfaces, thanks to the considerable acceleration of the water evaporation contained in the paints. The control of the air volume produced by the gun is about 6 times its air consumption. The use of a single device is particularly suitable for small areas, while the system mounted on the stand is particularly suitable for larger surfaces and commercial vehicles.

FEATURES

- Guns are provided with quick couplings which allow fast disassembly
- Air regulator included
- 2 Guns are easily and independently adjustable (height from 0 to 210 cm)
- Each gun can be used independently
- The stand has a slide and lock height adjustment.
- Gun brackets can be moved along the length of the arm and positioned to suit, max adjustable 80 cm
- Sturdy and dismountable steel base with rubber foot 62x62 cm
- Venturi air entrainment increases air flow by 6:1

TECHNICAL DATA

- Max. pressure: 7 bar
- Max. air consumption: 2 x 600 lt./min



cm
80 x
210 h



AI JET FLAT AIR NOZZLE DRYER

FEATURES

The AI JET Flat Fan Air Nozzles series are ideal to be used for the processes of drying and curing of water-based paints.

The flow of compressed air, passes through the nozzle and it is distributed through 16 holes (ø 1.5 mm), ensuring a wide range of air distribution and an excellent uniformity in the drying process.

The ergonomic design and its small dimensions, allow its use even in very small spaces.

The use of the AI JET air nozzles reduces the consumption of compressed air than other systems and allows the drying process in shorter times on surfaces of small and medium size, as well as a considerable reduction in noise.

AI JET is supplied with ball valve and quick coupling joint M.

TECHNICAL DATA

- Noise Level: 70 db (A) at 2 bar
- Air Consumption: 18 m³/h at 2 bar
- Max. Pressure: 6 bar
- Max. Temperature: 50°C

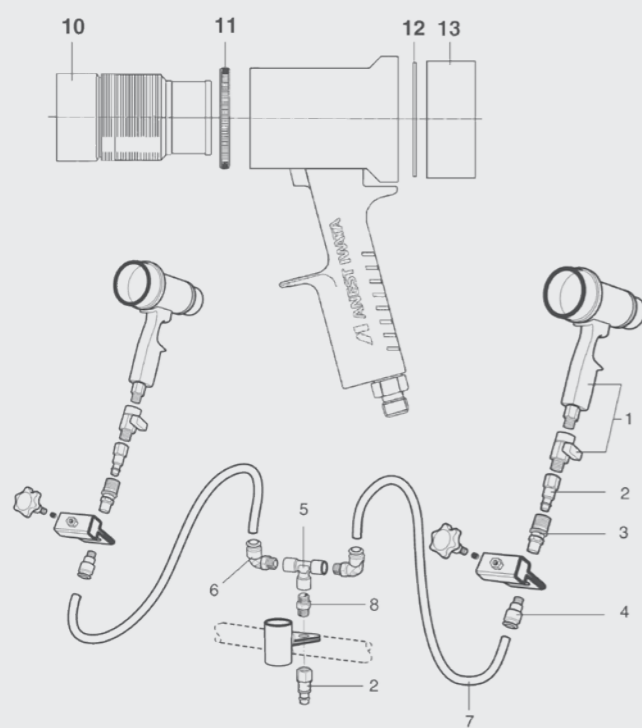
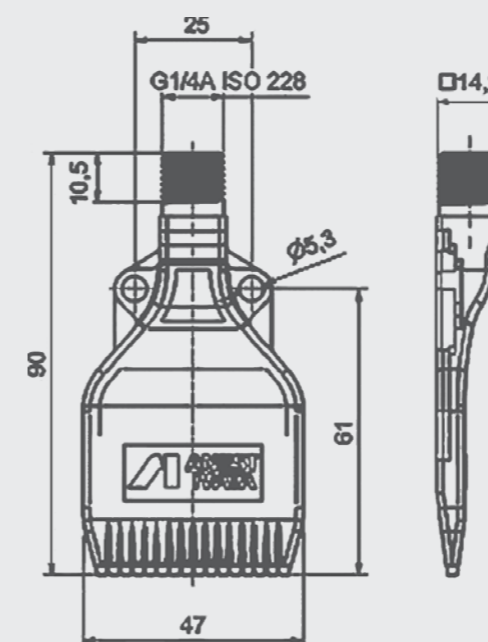


Pattern of
DISTRIBUTION
through
AIJET
Nozzle Holes



AIR NOZZLE

DIMENSIONS



ORDER INFORMATION

CODE	DESCRIPTION	REF.
UIKIT60100	AQUADRY SET (STAND, HOSES + 2 DRYER GUNS)	
13908402	AQUADRY PAINT DRYER GUN ADG-1B	1
W2COM6096	QUICK JOINT MALE BRASS G-1/4" M	2
W2950291400	QUICK JOINT FEMALE BRASS G-1/4" F	3
UL300312	QUICK JOINT 1/4" M - ø10	4
UL300300	"T" JOINT 1/4" FFF	5
UL300309	"L" QUICK COUPLING 1/4" M - ø10	6
00100032	AIR HOSE 10X8	7
UL30010501	SPECIAL NIPPLE R. 1/4"- G1/4"	8
VIEAQ002	STAND ONLY	9
93453450	NOZZLE	10
93454450	NUT	11
93451460	SCREEN FILTER	12
93455461	COVER	13

ORDER INFORMATION

CODE	DESCRIPTION
W2COM6214	AI JET AIR NOZZLE DRYER SET
W2COM6235	AIR NOZZLE
W2KIT40	QUICK COUPLING JOINT SET M1/4" F (5 pcs./1 pk.)

DEMO TOOLS

DEMO TROLLEY



ANEST IWATA Demo trolley is a practical and lightweight trolley to tow, perfect for protecting your valuable tools. Externally is made of sturdy and shockproof plastic material, durable but lightweight with a professional design. The inside is a foam lined safe housing which can snugly fit five spray guns. In addition, there are spaces cut out of foam designed to preserve the enclosures that can contain both the fluid nozzle and needle sets and the air cap sets, such as: 15 rotating telescopic enclosures to protect fluid needles and fluid nozzles and 7 enclosures with lid to protect the air caps.

FEATURES

Demo trolley is flexible to be equipped and also suitable for spray guns and accessories from other manufacturers, it is structured with:

- 5 places for spray guns
- 2 places for mini spray guns
- 2 places for pressure gauges
- 1 place for gravity cup 70 ml
- 1 big place with a shapeable foam for bulky items (as gravity cups or cleaning tools)

TECHNICAL DATA

Dimensions: 604 (W) x 473 (D) x 283 (H) mm
 Empty weight: 9 kg
 IP 67 classification; 100% recyclable material

ORDER INFORMATION

CODE	DESCRIPTION
VPATR-IW01	DEMO TROLLEY CASES KIT
VROTRPACK	CASES KIT SINGLE (22 parts)

Spray guns are not included in Demo trolley.

CASES KIT



15x

7x

60 cm

28 cm

47 cm

7x Case

15x Telescopic twist case for nozzle/needle

5x Spray guns

2x Small Spray guns
 2x Pressure Gauges
 1x Gravity cup 70 ml

Flexibly equipped
 Gravity cups & Cleaning kits
 Bulky parts
 Shapeable foam



OTHER ACCESSORIES



AZ PVA TN UNDERCOAT SPRAY GUN

FEATURES

Undercoat gun to be used with pre-packed paintpot or cartridge
 With suction feed
 Internal mixing

ORDER INFORMATION

CODE	DESCRIPTION
W001220000	UNDERCOAT SPRAY GUN



MARKER CAPS

FEATURES

Marker caps for individual labeling of spray guns

ORDER INFORMATION

CODE	DESCRIPTION
93710530	MARKER CAPS (5 pcs./1 pk.) (yellow, green, red, black, blue)





PROFESSIONAL COATING
EQUIPMENT SPECIALIST

ANEST IWATA Italia S.r.l.
Chieri (TO) - ITALY
info@anest-iwata-it.com
www.anest-iwata-coating.com

ANEST IWATA Deutschland GmbH
Leipzig - GERMANY
info@anest-iwata-de.com
www.anest-iwata.de

ANEST IWATA France S.A.
Saint Quentin Fallavier, Lyon - FRANCE
info@anest-iwata-fr.com
www.anest-iwata.fr

ANEST IWATA U.K. Ltd.
St. Neots Cambridgeshire - ENGLAND
info@anest-iwata-uk.com
www.anest-iwata.co.uk

ANEST IWATA Iberica S.L.U.
Saint Adrià del Besos - Barcelona - SPAIN
info@anest-iwata-ib.com
www.anest-iwata.es

ANEST IWATA Scandinavia AB.
Partille, Göteborg - SWEDEN
info@anest-iwata-se.com
www.anest-iwata.se

ANEST IWATA Polska Sp. Z o.o.
Jasin / Swarzędz - POLAND
info@anest-iwata-pl.com
www.anest-iwata.pl

NORTH AMERICA
ANEST IWATA USA Inc.
West Chester - Ohio - U.S.A.
inquiry@anestiwata.com
www.anestiwata.com

SOUTH AMERICA
ANEST IWATA DO BRASIL COMERCIAL Ltda.
Sao Paulo - BRAZIL
contato@anest-iwata.net.br
www.anest-iwata.net.br

AUSTRALIA
ANEST IWATA Australia Pty Ltd.
Sidney - AUSTRALIA
info@anest-iwata.com.au
www.anest-iwata.com.au

SOUTH AFRICA
ANEST IWATA South Africa Pty Ltd.
Johannesburg - REPUBLIC OF SOUTH AFRICA
www.anest-iwata.co.za

ASIA
ANEST IWATA Coating Solutions Corporation
Yokohama - JAPAN
www.anest-iwata.co.jp

ANEST IWATA KOREA Corporation
Ansan City - KOREA
inquiry@aikr.co.kr
www.aikr.co.kr

ANEST IWATA Motherson Coating Equipment Ltd.
Noida - INDIA
sales@aim.motherson.com
www.motherson.com/anest-iwata-motherson.html

ANEST IWATA Russia LLC
Moscow - RUSSIA
tam@anestiwata.ru
www.anestiwata.ru

ANEST IWATA Shanghai Corporation
Shanghai - CHINA
customer@anest-iwata-sh.com
www.anest-iwata-sh.com

ANEST IWATA Taiwan Corporation
Hu-Kuo - TAIWAN R.O.C.
service@anestiwata.com.tw
www.anestiwata.com.tw

ANEST IWATA Vietnam CO. Ltd.
Ho Chi Minh City - VIETNAM
info@anest-iwata.vn
www.anest-iwatasoutheastasia.com

PT. ANEST IWATA Indonesia
Jakarta - INDONESIA
www.anest-iwatasoutheastasia.com

ANEST IWATA Southeast Asia CO. Ltd.
Bangkok - THAILAND
info@anest-iwata.co.th
www.anest-iwatasoutheastasia.com

HEADQUARTER
ANEST IWATA Corporation
Yokohama - JAPAN
www.anest-iwata.co.jp

ANEST IWATA Strategic Center S.r.l.
Cardano al Campo (VA) - ITALY
info@anest-iwata-st.com
www.anest-iwata-coating.com

CAR REFINISH CATALOGUE

